



*Union Special*<sup>®</sup>  
INDUSTRIAL SEWING EQUIPMENT

**ADJUSTING INSTRUCTIONS AND  
ILLUSTRATED PARTS LIST**

---

---

**FOR COLUMBIA  
CLASS 300  
BLINDSTITCH MACHINES**

---

---



INSTRUCTION BOOK

and

PARTS CATALOG

for

*Columbia*

CLASS 300

BLINDSTITCH MACHINES

MODELS

- 300 - 5    300 - 12
- 300 - 10    300 - 14R
- 300 - 11    300 - 15
- 300 - 20

The parts listed in this catalog are furnished at list prices for repairs only.

Second Edition

Copyright 1959

by

Union Special Machine Co.

Rights Reserved in All Countries

*Union Special*

**MACHINE COMPANY**

INDUSTRIAL SEWING MACHINES

**CHICAGO**

New York Office for Columbia Machines - 315 West 35th Street, N.Y. 1, N.Y.

Printed in U.S.A.

## INSTRUCTIONS for USING this BOOK

GENERAL INDEX to ALL subjects appears on Pages 3 to 6.

GENERAL INSTRUCTIONS applying to ALL MODELS appear on Pages 7 to 16. These instructions cover adjustments, threading, needle sizes, etc. covering all models.

ADDITIONAL INSTRUCTIONS for EACH MODEL appear on Pages 17 to 31. These instructions cover the special features of each model which do not apply to other models. See INDEX (Page 3) for each model.

### HOW TO ORDER PARTS

For your convenience in finding parts and part numbers, we have broken down the machine into its various component groups (such as main shaft group, presser foot group, needle drive group). Pictures of these groups are shown in PLATES numbered from A to 33. The Plates are listed in the Index (Pages 4 and 5) with a description of the Group and the model numbers of the machines in which these groups are used.

All the groups used in each model are also listed under the Model heading (See Index Page 3 for each model).

The CROSS-REFERENCE CHART on Pages 33, 34, and 35 show the Groups and the various models in which each group is used.

To find any part number, first refer to the Model number and Serial number stamped into the top cover of each machine. Determine the group in which each part belongs, find the Plate for this group, and locate the part and its number. The descriptions of the parts are on the page opposite each Plate.

If the part number is known, refer to the Numerical Index (Pages 105-108) to locate all of the Plates of Groups where the part is used.

ORDER by PART NUMBER, giving DESCRIPTION, QUANTITY, MODEL number and SERIAL number of the machine.

NOTE: IN ALL CASES, PLEASE SUFFIX THE NUMBER SIGN (#) TO THE PART NUMBER:  
EXAMPLE: 23 C 281#. PART NUMBER ON YOUR ORDER IS NOT COMPLETE  
WITHOUT THE # SIGN FOLLOWING THE PART NUMBER.

INDEX

	PAGE
Adjusting Chart .....	10
Additional Instructions; See each Model.....	
Apron, Work .....	11
Adjusting Length of Stitch.....	12, 12A
Catalogue, Instructions for Using.....	1
Chart for Timing and Adjusting.....	10
Cloth Clamp.....	16
General Instructions, All Models .....	7 to 16
Groups, Chart of Models and Plates .....	33, 34, 35
Instructions for Using Catalogue.....	1
Instructions, General .....	7 to 16
Instructions Additional, See Each Model.....	
Length of Stitch.....	12, 12A
Looper Adjustments.....	9, 13, 14, 15

## MODELS

Model No.			
300-5	General Utility Machine .....		17
	Additional Instructions .....		18
300-10	Rolled Edge Machine .....		19
	Additional Instructions .....		20, 21
300-11	Pants Bottom Machine.....		22
	Additional Instructions .....		23
300-12	Facing - Tacking Machine .....		24
	Additional Instructions .....		25, 26
300-14 R	Padding Machine.....		27
	Additional Instructions .....		28
300-15	Book Seam Machine .....		29
300-20	Hemming Machine .....		30
	Additional Instructions .....		31
Needle Sizes .....			9
Needle Replacements.....			8

INDEX

	PAGE
Needle, Adjusting Stroke .....	11
Numerical Index of Part Numbers .....	105, 108
Oiling Machine .....	7
Operating Machine .....	7, 8, 9

## PLATES

## Plate No' s

A	Sundry Parts - Head and Arm, All Models.....	36, 37
1	Main Shaft Group - 300-5, 300-10, 300-11, 300-14 R, 300-15 .....	38, 39
2	Main Shaft Group - 300-20 .....	40, 41
3	Main Shaft Group - 300-12 .....	42, 43
4	Looper Drive Group, All Models .....	44, 45
5	Needle Drive Group, All Models .....	46, 47
6	"Clock Dial" Stitch Depth Adjustment Group, All Models....	48, 49
7	Skip Stitch Group - 300-20 .....	50, 51
8	Skip Stitch Mechanism - 300-20 .....	52, 53
9	Presser Foot Group - 300-5, 300-20.....	54, 55
10	Presser Foot Group - 300-12 .....	56, 57
11	Presser Foot Group - 300-11 .....	58, 59
12	Presser Foot Group - 300-14 R .....	60, 61
13	Presser Foot Group - 300-10 .....	62, 63
14	Presser Foot Group - 300-15 .....	64, 65
15	Work Table and Knee Lift Group - 300-5, 300-15, 300-20...	66, 67
16	Work Apron Group - 300-5, 300-10, 300-11, 300-14 R, 300-15, 300-20.....	68, 69
17	Feed Platten Group - 300-5, 300-11, 300-20.....	70, 71
18	Feed Platten Group - 300-10 .....	72, 73
19	Feed Platten Group - 300-14 R.....	74, 75
20	Feed Platten Group - 300-15.....	76, 77

INDEX

	PAGE
Plate No' s	
21 Knee Lift Group - 300-10, 300-11, 300-12, 300-14 R.....	78, 79
22 Folder Group - 300-10 .....	80, 81
23 Folder Group - 300-15 .....	82, 83
24 Rib Shaft Group - 300-5, 300-10, 300-11, 300-14 R .....	84, 85
25 Rib Shaft Group - 300-15, 300-20.....	86, 87
26 Feed Points, All Models.....	88, 89
27 Right Hand Rib Drive Group - 300-12 .....	90, 91
28 Feed Platten Group - 300-12.....	92, 93
29 Left Hand Rib Drive Group - 300-12 .....	94, 95
30 Left Hand Rib Adjusting Group - 300-12.....	96, 97
31 Work Apron Group, Two Rib Machine, 300-12 .....	98, 99
32 Work Support Group - 300-12 .....	100, 101
33 Work Support Bracket Group - 300-12 .....	102, 103
Penetration of Needle .....	8, 9
Presser Foot, Mounting on Machine .....	9, 10, 11
Retainer or Cloth Clamp.....	15
Rib Adjustment.....	12, 13
Speed of Machine .....	7
Threading Machine.....	8, 12B
Threading Chart.....	12B
Timing Chart .....	10
Work Apron.....	11





INSTRUCTIONS FOR THE INSTALLATION,  
ADJUSTING AND OPERATION OF ALL  
COLUMBIA CLASS 300 MACHINES.

UNPACKING AND SETTING UP OF MACHINE

1. To remove the machine from the box, take off the cover. Use a nail puller to avoid breaking the machine. Be sure to look carefully through the material used for packing before destroying it, so that all the parts and equipment that go with the machine will be found. Lift the machine out of the box very carefully to avoid breaking the tension studs, as these parts project beyond the head of the machine. Small parts will be found wrapped in a package.
2. Set up the machine; clean away accumulated lint and dust, especially from the looper.
3. Place the machine on the bench with the pulley lined up with the transmitter. The machine should be set on the table so that the knee lever is  $1/2''$  from the edge of the table.
4. Mark the two holes for the machine screws and bore for the screw holes; bore the hole for the belt; place the felt pad under the machine and fasten the machine to the table, using the two machine bolts in the package of parts shipped with the machine.
5. The machine may be run 3000 revolutions per minute; it is suggested, however, that the machine first be operated at about 2500 revolutions per minute until the operator becomes used to the machine, and then step up the machine to increase the speed.
6. We reserve the right to change specifications or designs at any time, without incurring the obligation to install such changes on machines previously manufactured.

HAND WHEEL

7. The hand wheel turns away from the operator in clockwise direction.

OPERATING THE MACHINE

OILING

8. Before starting the machine make certain that all oil cups, and all openings marked with red paint, are filled with oil. Should your machine have a Top Plate stamped "OIL" push the plate to one side, oil all the openings, reset and lock the plate.

SPEED

9. Check the speed of the machine. The machine should run at a minimum speed of 2500 revolutions per minute, and should not exceed 3000 revolutions per minute.
10. To be certain that there are no obstructions in and around the machine, press the knee-lifter to the right, turn pulley by hand in the direction of the arrow a complete turn.

## GENERAL INSTRUCTIONS

### THREADING

11. To thread the machine turn the belt pulley by hand until the needle arm is in its highest possible position. Proceed as shown in Threading Chart Page 12B. We suggest #00 mercerized thread.

### INSERTING WORK

12. To insert work in the machine, press the knee lifter to the right. (This lowers the Apron.) Then place the folded edge or sewed edge of the garment **DIRECTLY UNDER** the small curved slot in the gauge on top of the presser foot. Once this is done, the rest of the fold should be held against the guide extending in front of the presser foot. In operating the machine, just watch this guide (not the needle).

### ADJUSTING NEEDLE PENETRATION

13. Run off a few test inches and inspect the work. If the needle does not catch the fabric as desired, adjust the penetration by turning the dial indicator marked "MORE" or "LESS", following the instructions below:

14. Turn this dial indicator either to the right for less penetration, or to the left for more penetration, until the needle catches the bottom layer of the garment properly.

15. Usually it is sufficient to move the dial indicator a few graduations (**NOT** turns) to the left, to obtain the desired stitch, however, should you move the dial indicator a few graduations and get no results, then look for trouble at the point of the needle, which, very likely, will have been turned up to a feather-edge, causing a dull point that prevents the needle from penetrating the fabric properly. Pass your finger over the edge to see if the needle has this feather-edge. If it does, discard the needle.

### NEEDLE REPLACEMENT

16. Before inserting the new needle, turn the dial to the right, ("LESS") until the rib, or plunger, remains clear of the needle, or else the needle will get a defective point again as soon as the machine is started.

17. When replacing the needle, make sure that it is pushed up as far as it will go, and tighten the screw. Then turn the belt pulley slowly and look to see that the full bend of the needle in back of the eye, rides on the needle guide before the needle enters the work. If it does not, take the needle out and curve it just enough to make it rest on the guide, under a slight tension.

### STARTING TO SEW

18. You are now ready to proceed with the production. Press the knee-lifter to the right; insert the work as explained above, release the knee-lifter, and guide the work as the machine pulls it from you.

## GENERAL INSTRUCTIONS

DO NOT touch the knee-lifter while the machine is in operation.

### LOOP SKIPS

19. In case the thread breaks too frequently, or the loop skips, or the fabric gathers, correct this fault by adjusting the tension disc by turning the nut either right or left until you get a smooth line.

### REMOVING WORK

20. To remove the work after stitching, see that the needle is withdrawn entirely from the fabric, push the knee-lifter to the right, and remove work with a quick pull away from you, in order to break the thread and lock the stitch.

### NEEDLE SIZES

21. Needles are furnished in the following sizes, order by size number.

<u>NO.</u>	<u>NO.</u>
1	$3\frac{1}{2}$
2	4
$2\frac{1}{2}$	$4\frac{1}{2}$

Ordinarily, sizes  $2\frac{1}{2}$  and  $3\frac{1}{2}$  needles will serve the purpose. A full range of needle sizes are, however, available to meet all requirements.

22. Use ONLY genuine COLUMBIA needles. Look for the copyrighted word Columbia printed on each box of needles.

### THREAD

23. Use any good grade of left-twist three cord hard finish cotton thread in sizes 70 to 100. We recommend No. 00 Mercerized thread or its equivalent. If silk thread is used, select either "00" or "000".

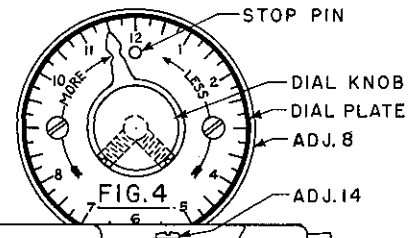
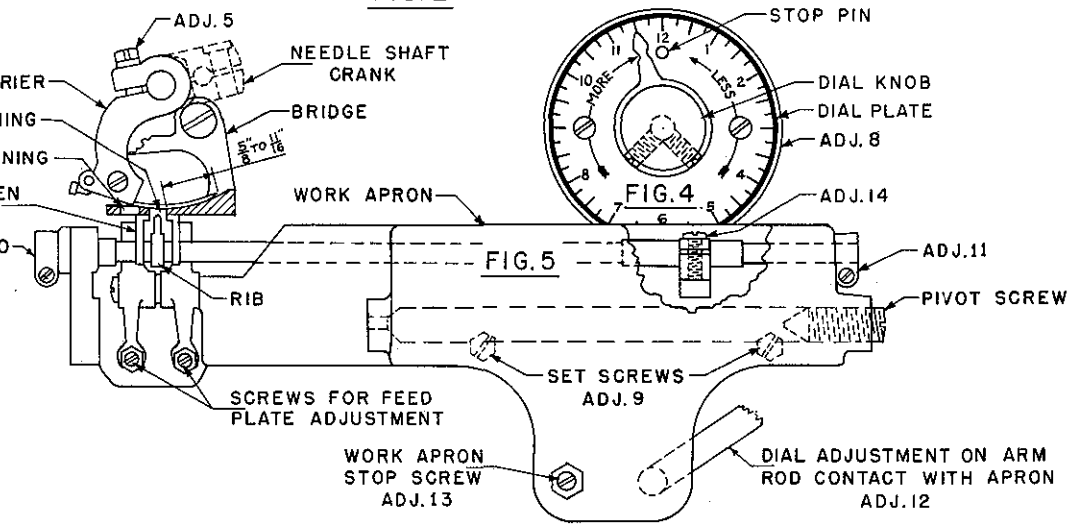
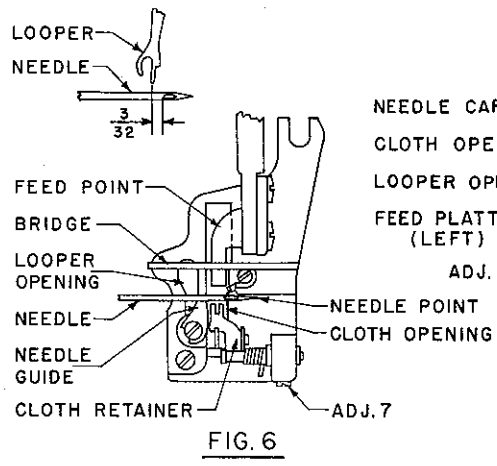
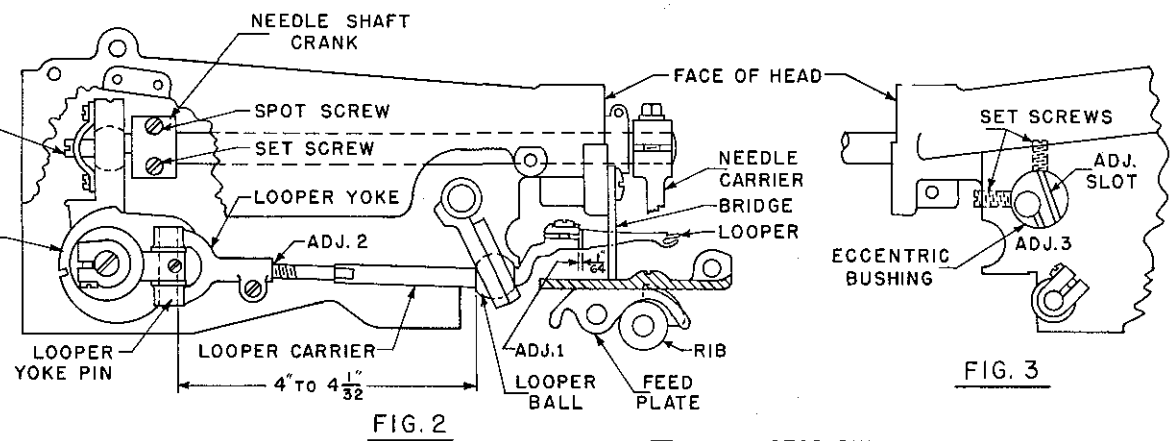
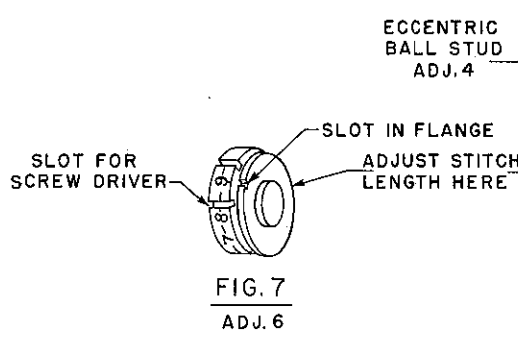
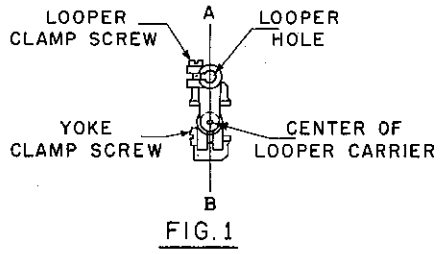
### REGULATOR FOR DEPTH OF NEEDLE PENETRATION

24. The needle penetration adjustment is located on the front of the arm column of the machine, and is a dial that has graduations, show the word "MORE" which indicates the direction in which to turn the dial lever for a deeper needle penetration; and the word "LESS" which indicates the direction to turn the dial lever to obtain less needle penetration in the work. (See work apron adjustments for setting regulator).

### TIMING

25. All basic driving parts are properly timed with spot screws.

# ADJUSTING & TIMING CHART COLUMBIA CLASS 300 MACHINES



ADJUSTING CHART

## GENERAL INSTRUCTIONS

PRESSER FOOT

26. The presser foot must be mounted on the machine with care. It is clamped to the head of the machine by a screw under the head, and with two screws on the end of the head, that clamps the foot bridge to the machine. The screw between the bridge screw is eccentric, and is for adjusting the foot up or down.

27. To mount the presser foot, assemble with the four screws. Let the two bridge screws hold the foot loosely, and tighten the clamp screw under the head. Now using the eccentric screw, adjust the foot as follows:

28. With a new  $3\frac{1}{2}$  size needle in the needle arm, rotate the hand wheel in clockwise direction until the point of the needle is over the needle guide. Turn the eccentric screw and adjust the foot up or down until the needle just contacts the needle guide, and tighten the bridge screws. Back up the needle until the point of the needle is in looper opening; there should be a maximum of .005 between the needle and bottom of the needle groove on the left hand side of the presser foot. Rotate the hand wheel in clockwise direction until the point of the needle is  $\frac{5}{8}$ " to  $\frac{11}{16}$ " from the right hand side of the cloth opening. At this position there should be from .001" to .003" clearance from the bottom of the needle groove to the needle.

29. Re-check the needle clearance on the right and left hand side of the presser foot and if not correct, loosen the two bridge screws, and twist the foot by hand to obtain the correct needle clearance, and tighten screws making sure that the needle is in light contact with the needle guide.

ADJUSTING NEEDLE STROKE

30. Rotate hand wheel in clockwise direction until needle carrier is on extreme left hand end of needle stroke, insert and clamp a  $3\frac{1}{2}$  size needle into the needle arm. Rotate hand wheel until the point of the needle is even with the left hand side of the looper opening in the presser foot, this setting is made by loosening the needle arm set screw and slipping the needle arm so that the point of the needle is even with the looper opening. The rear side of the needle must clear the needle groove .005".

31. Continue to rotate hand wheel until the needle is at the end of needle stroke on the right hand side, see figure 5; at this position the point of the needle must be from  $\frac{5}{8}$ " to  $\frac{11}{16}$ " from the right hand side of the cloth opening on the presser foot. This setting is made by loosening the clamp screw holding the needle ball in the needle shaft crank, and turning the eccentric ball until the point of the needle is set correctly. See figures 2 and 5, adjustment 4 and 5.

32. The needle must be in contact with the needle guide when the needle point is from  $\frac{1}{64}$ " to  $\frac{1}{32}$ " from the left hand side of the cloth opening in the presser foot, Figure 6.

WORK APRON

33. Adjust work apron so that left hand feed platten is flush with left hand side of cloth opening in presser foot. The adjustment is made by loosening two hexagon set screws in up right arm of the machine base, under the work apron holding the work apron shaft; slide the apron in correct position, and tighten the two set screws, Adjustment 9, Figure 5.

## GENERAL INSTRUCTIONS

34. Set needle over highest part of rib, and adjust work apron to raise needle from the needle guide  $1/64''$ . The adjustment is made with the work apron stop screw. Adjustment 13, Figure 5. When set tighten lock nut.

35. Now set regulator for depth of needle penetration with needle over the rib, and work apron set so that the needle is raised  $1/64''$  above needle guide. Set dial knob so that pointer is against stop pin at 12 on the dial. To make the setting loosen two set screws in the dial knob and turn the pointer to come in contact with the left hand side of the stop pin and tighten the set screw. See Adjustment 8, Figure 4.

36. The above adjustment must be carefully made as it limits the height the rib can be raised and will avoid blunting needle points.

37. For General sewing the pointer will usually be about No. 9 on the dial.

### FEED PLATTEN

38. Set feed platten, figure 5, so that they will depress  $1/32''$  when in contact with the bottom of presser foot, after adjustment of foot and apron has been made. The setting is made by adjusting the feed platten carrier adjusting screws, and tighten lock nuts.

### FEED

39. To set depth of feed, figure 6, adjustment 5, first turn hand wheel until needle point when approaching from the left is flush with left hand side of cloth opening in presser foot. Loosen the two feed clamp screws, and set feed so that a  $.003''$  shim or newspaper will just be clamped between the top of feed plate, and the bottom of the presser foot. The feed points must be parallel with bottom of foot, tighten the feed clamp screws, and check clearance between feed and looper at all positions.

### LENGTH OF STITCH

40. The length of stitch is adjustable from 3 stitches per inch to 8 stitches per inch, by turning a numbered regulator on the main shaft in the rear of the head. See figure 7, adjustment 6, and chart on page 12A.

41. To make the adjustment, remove the rear head cover and loosen the regulator clamp screw, insert a screw driver in a slot in the regulator, hold firmly and turn the hand wheel so the number desired is opposite the notch milled into the flange beside the regulator, and tighten the clamp screw of regulator.

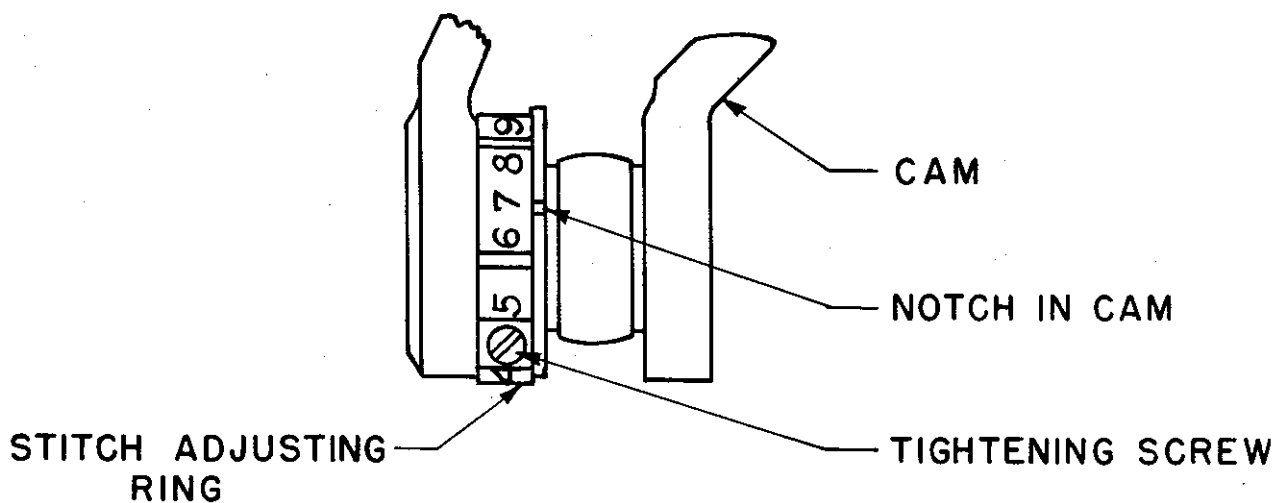
42. As the depth that the feed is set below the presser foot affects the length of stitches, the numbers on the feed regulator do not indicate the stitches per inch. Setting the regulator on number 9 will equal about 3 stitches per inch, and setting regulator on number 5 will equal about 8 stitches per inch.

### THE RIB

43. The function of the Rib is to present the work into the path of the needle, and is adjustable relative to the needle by turning the regulator dial lever "MORE" or "LESS" for depth of needle penetration.

**TO ADJUST THE LENGTH OF STITCH:**

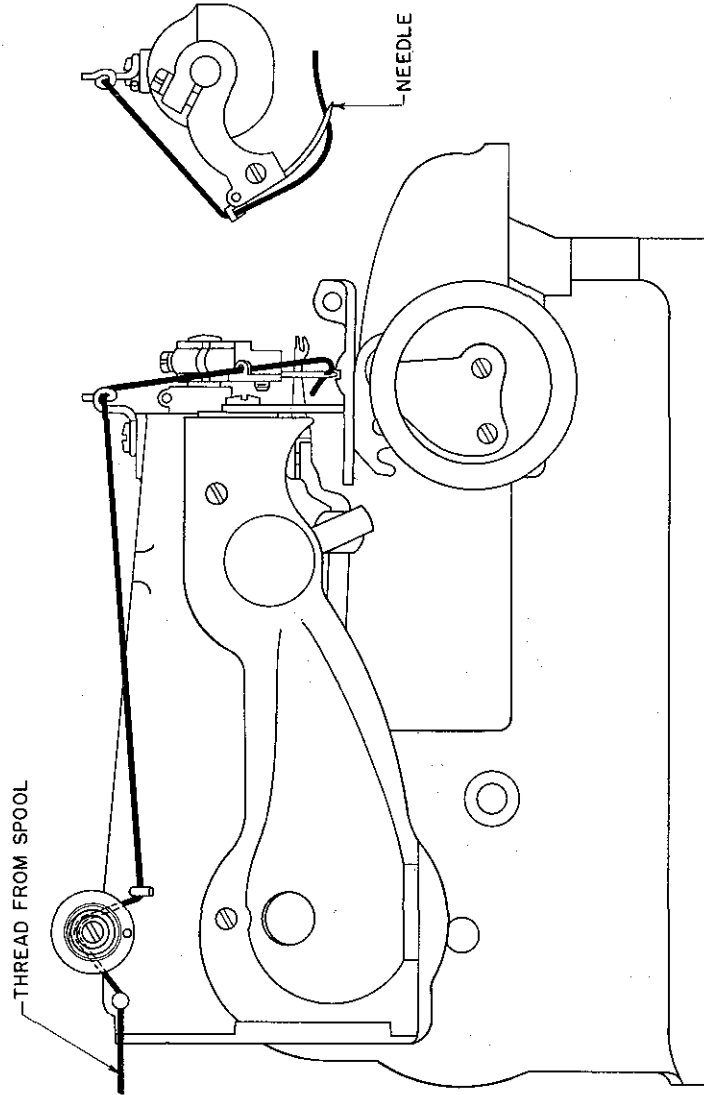
- 1 -- Remove rear cover.
- 2 -- Loosen screw on stitch-adjusting ring.
- 3 -- Find notch on cam by turning hand pulley, then stop.
- 4 -- Insert screw driver in any slot on the stitch-adjusting ring and press down from the notch on the cam for a short stitch.
- 5 -- Tighten screw, then try the stitch.
- 6 -- To select the proper length repeat the operation.
- 7 -- For best results move the stitch-adjusting ring the amount as indicated and tighten when stamped number is in line with the notch on the cam.



VIEW FROM REAR OF MACHINE

COVER REMOVED

THREADING CHART  
COLUMBIA CLASS 300 MACHINES





## GENERAL INSTRUCTIONS

44. The Rib must be set to be  $3/32''$  from the right hand side of the cloth opening in the presser foot. The adjustment is made by loosening the clamp screws of the Collars on each end of the rib shaft, see adjustment 10 and 11, figure 5. Set the rib in center of the cloth opening and tighten clamp screws. There must be no end play in the rib shaft.

45. If the machine is a 1-to-1 machine that is, the needle penetrates the body fabric of the garment on every stitch, the rib must be set so that when the needle point is over the center of the rib, the needle point is  $3/32''$  back from the nose of the rib. The adjustment is made as follows:

46; Rotate hand wheel in clockwise direction until rib is at extreme end of its stroke with nose of rib under the needle. Loosen clamp screw in crank, adjustment 14, figure 5, and set rib by hand so that point of needle is  $3/32''$  back from nose of rib, and tighten clamp screw.

### LOOPER

47. The correct setting of the looper is of greatest importance. Refer to "Adjusting and Timing Chart", Page 10. The looper carrier assembly consists of:

Looper Yoke - in which are the looper yoke pin holes.

Clamp Screw.

Looper Ball.

Looper Carrier

48. The looper carrier and looper yoke are set before assembling these parts into the machine. Now, the looper ball is positively located on the shaft of the looper carrier by a spot screw. The looper carrier is assembled to the looper yoke, so that the distance from the edge of the looper yoke pin nearest the looper ball, to the side of the looper ball nearest the looper yoke will be 4 to  $4-1/32$  (See Adjusting Chart, Figure 1, Adjustment 2.) The looper hole must be in line with center of looper carrier as shown in Figure 1.

49. The looper is mounted in the looper carrier assembly; allow  $1/64''$  space between looper shoulder and end of looper carrier. (See Figure 2, Adjustment 1.) The Correct assembling of this unit must be understood in case for any reason it is necessary to remove or replace this assembly.

50. The looper has means for the following adjustments, which, for reference to the drawing, are numbered as follows:

#### Adjustment 1

51. Means for adjusting the looper in and out.

#### Adjustment 2

52. Means for adjusting the looper position on the right hand side, or when the looper is taking the loop from the needle.

## GENERAL INSTRUCTIONS

Adjustment 3

53. Means for adjusting the looper position on the left hand side, or when the needle is between the prongs of the looper.

54. Means for adjusting the position of the looper from left to right, or right to left.

55. Before setting the looper, the looper carrier assembly must be in accordance with instructions for Figure 1, and Figure 2, and the needle setting must be as described in adjustments 4 and 5, Figures 2 and 5.

ADJUSTING AND SETTING THE LOOPER

56. To secure the correct adjustment of the looper, the following steps should be taken and in the same sequence as here given:

57. The looper is first adjusted as the looper is taking the loop from the needle.

58. The position for the long prong of the looper is to have the point of this prong  $1/16''$  to  $3/32''$  from the inner end of the needle eye, and the point of the long prong should brush the scarf of the needle slightly.

59. To secure this setting, the following steps and adjustments are taken and made:

60. Turn the hand wheel in clockwise direction; that is, the top of the hand wheel will be moved away from the operator very slowly until the long prong of the looper is over the center line of the needle.

61. Loosen the looper ball joint shaft eccentric bushing set screw, this will allow the bushing to slide either to the right or left, and to rotate so that the looper can be adjusted up or down, and at the same time the looper can be moved to the right or left. (See Figure 3, Adjustment 3.) that shows that the approximate setting of the eccentric bushing is with the looper shaft hole toward the needle end of the head, and the adjusting slot at an angle, and the slit into the shaft hole near the bottom.

62. Slide the bushing until the long prong of the looper is  $3/32''$  from the inner end of the needle eye, and tighten bushing set screw.

63. Loosen the looper yoke clamp screw, see Adjustment 2, Figure 2, and roll the looper until the long prong of the looper just brushes the scarf of the needle.

## GENERAL INSTRUCTIONS

64. Check to see that point of the long prong of the looper just brushes the scarf of the needle, and is  $3/32''$  from the inner end of the needle eye. See Figure 5.

65. Continue to rotate hand wheel in clockwise direction, until the short prong of the looper is at nearest point when passing chaining finger, not exceeding  $1/32''$  - See Figure 6. If the short prong does not clear the chaining finger, or if the clearance is greater than  $1/32''$ , then the previous adjustments have not been correctly made, and these should be re-made.

66. Continue to rotate the hand wheel in clockwise direction until the short prong of the looper has passed the edge of the looper slot in the foot. If the short prong of the looper does not enter the looper slot in the foot, adjust so that the short prong will clear the edge of the looper slot in the foot by moving the eccentric bushing for the looper, Adjustment 3, Figure 3. Move the bushing the least amount possible so that the short prong clears the edge of the looper slot.

67. Care must be taken now as the needle may strike the crotch of the looper when the needle should be entering between the prongs of the looper.

68. Continue to turn the hand wheel in clockwise direction until the point of the needle should enter between the prongs, but instead of doing so, strikes the crotch of the looper. The following corrective steps are required:

69. The needle must enter between the prongs of the looper, clearing the two prongs about an equal amount.

70. In case the needle should not enter about midway of the two prongs to correct this, loosen the eccentric bushing clamp screw, Figure 3, and turn the looper eccentric bushing in Adjustment 3, Figure 3, until the prongs of the looper are about equal distance from the needle. When this setting has been made, tighten the bushing set screw. See Figure 3.

71. Continue to rotate the hand wheel in a clockwise direction until the point of the long prong of the looper is over the center line of the needle. Check to see that the point of the long prong of the looper is  $1/16''$  to  $3/32''$  from the inner end of eye of the needle, and that the point of the long prong just brushes the scarf of the needle. In case the above conditions do not exist, the eye must be corrected -- this is done as described in the 56 to 65 paragraphs inclusive under the heading "ADJUSTING AND SETTING THE LOOPER". Be sure to roll the looper - Adjustment 2, Figure 2. Do not turn the looper eccentric bushing.

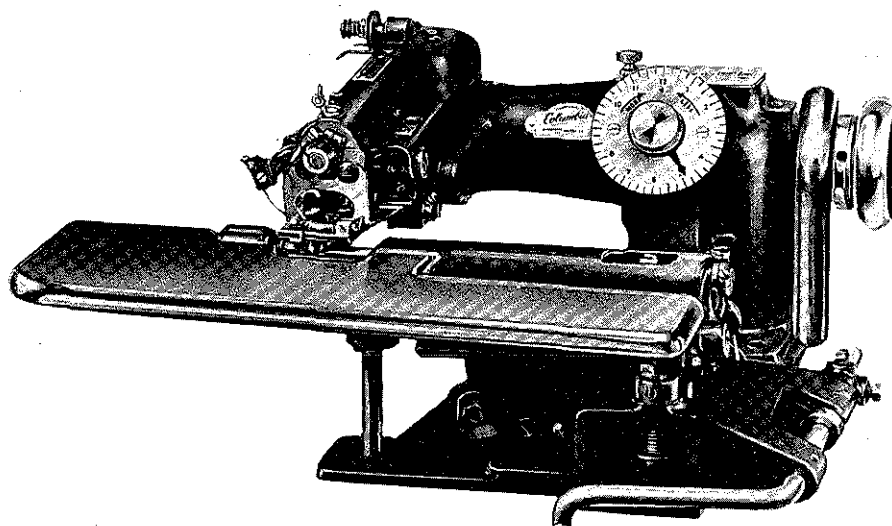
72. The machine, as far as the looper and needle are concerned is now ready to sew. Different materials or different threads may cause a slightly variation from the above adjustments, however, these adjustments will give the best results when padding or hemming the more heavy materials. When hemming silks and cotton, however, it may be advisable to set the point of the needle  $1/16''$  - Figure 6, instead of  $3/32''$ , without changing the looper position by re-adjusting the needle ball stud, Adjustment 4, Figure 2.

## GENERAL INSTRUCTIONS

RETAINER OR CLOTH CLAMP

73. The cloth retainer located in the cloth opening of the presser foot must at all times be adjusted as close to the needles as possible, and set relative to the ridge forming disc to firmly hold the work onto the disc while the needle is penetrating the material. If the work is carried along with the needle, no loop will form, resulting in missed stitches. See Figure 6, Adjustment 7. To adjust the retainer loosen set screw in foot and turn the cloth retainer eccentric bushing and turn bushing for setting retainer to the needle, and slide to the right or left for setting retainer to the rib, and tighten set screw in the presser foot.

COLUMBIA MODEL 300-5 - GENERAL UTILITY  
MACHINE



THE MODEL 300-5

The Model 300-5 is a general utility Blind Stitch machine for general alteration work, and for felling trouser bottoms, bottom of coats, dress hems, etc.

It is an excellent machine for alteration rooms, manufacturers, and for cleaners and dyers.

This model is equipped to sew the base layer or body fabric on every stitch, and is equipped with a work plate for sewing flat work, and the work plate can be swung out of the way for sewing cylindrical work such as pants bottoms and sleeves.

The machine is equipped with a knee lift.

INSTRUCTIONS FOR ORDERING PARTS

The parts have been broken up into groups, and these groups are shown below. Turn to the plate showing the group in which the part to be ordered is located, find the part, and order by part number. Part number on your order is incomplete without the # sign following the part number. Following is list of plates and groups.

<u>PLATE</u>	<u>PAGE</u>	<u>DESCRIPTION OF GROUP</u>
A	36	Sundry Parts - Head and Arm.
1	38	Main Shaft Group.
4	44	Looper Drive Group.
5	46	Needle Drive Group.
6	48	"Clock Dial" Stitch Depth Adjustment Group.
8	52	Presser Foot Group.
15	66	Work Table and Knee Lift Group.
16	68	Work Apron Group.
17	70	Feed Platten Group.
24	84	Rib Shaft Group.
26	88	Feed Points.

## COLUMBIA MODEL 300-5

ADDITIONAL ADJUSTMENTS FOR MODEL 300-5

Refer to timing chart, page 10.

STITCH LENGTH

Generally set 3 stitches per inch, #9 on stitch regulator, Adjustment 6, Figure 7.

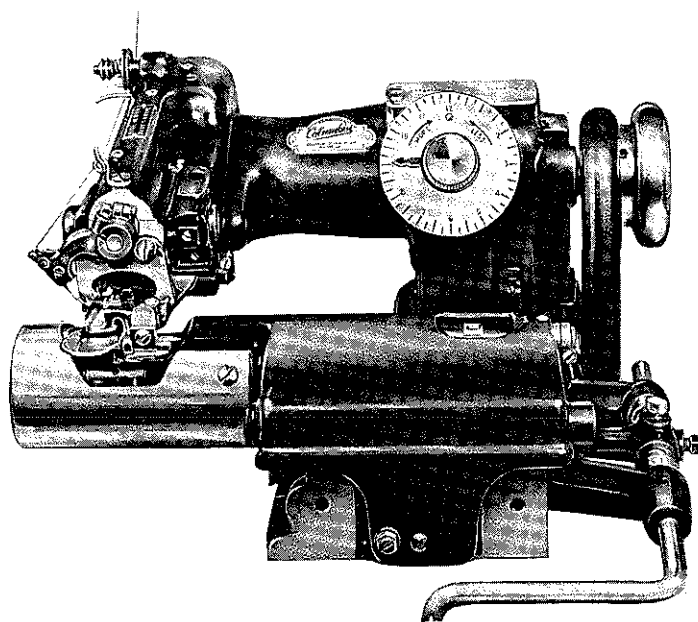
RIB

Set rib in center of cloth opening in the presser foot, Adjustment 9, Figure 5.

CLOTH RETAINER

Rotate hand wheel clockwise until the rib is at the end of its oscillation, and under the needle. Adjust the cloth retainer to just clear the needle, and center the cloth retainer to the rib. To check this setting, insert a strip of paper on each side of the rib, under the retainer; the retainer must clamp both strips of the paper. See Adjustment 7, Figure 6.

## COLUMBIA MODEL 300-10 - ROLLED EDGE MACHINE



THE MODEL 300-10

Model 300-10 is a machine specially made for rolled edges or hand rolled hems.

Folders are available in sizes #00, #1, #2 and #3, for producing a rolled edge on the lighter materials, such as used in making scarfs, and for heavier materials, such as light worsteds.

The Model 300-10 is used in making:

Scarfs	Slips	Handkerchiefs
Dresses	Housecoats	Table Cloths
Evening Gowns	Play Suits	Napkins, etc.

INSTRUCTIONS FOR ORDERING PARTS

The parts have been broken up into groups, and these groups are shown below. Turn to plate showing the group in which the part to be ordered is located, find the part, and order by part number. Part number on your order is incomplete without the # sign following the part number. Following is list of plates and groups.

<u>PLATE</u>	<u>PAGE</u>	<u>DESCRIPTION OF GROUP</u>
A	36	Sundry Parts - Head and Arm.
1	38	Main Shaft Group.
4	44	Looper Drive Group.
5	46	Needle Drive Group.
6	48	"Clock Dial" Stitch Depth Adjustment Group.

## COLUMBIA MODEL 300-10

<u>PLATE</u>	<u>PAGE</u>	<u>DESCRIPTION</u>
13	62	Presser Foot Group.
16	68	Work Apron Group.
18	72	Feed Platten Group.
21	78	Knee Lift Group.
22	80	Folders.
24	84	Rib Shaft Group.
26	88	Feed Points.

ADDITIONAL ADJUSTMENTS FOR MODEL 300-10

Refer to timing chart, page 10.

STITCH LENGTH

Set for 6 stitches per inch, #5 on feed regulator, Adjustment 6, Figure 7.

RIB

Set rib .093 (3/32") from right hand side of cloth opening in presser foot, Adjustment 10 and 11, Figure 5.

CLOTH RETAINER

Set cloth spring retainer as close to the needle as possible with right hand side of retainer even with right side of rib.

FEED

Rotate hand wheel in clockwise direction until end of feed is nearest to the needle. Set end of feed 3/64" from back side of needle.

Set depth of feed 1/32" below, and parallel with bottom of the foot.

FEED PLATTEN

Set left hand side of slot in feed platten 1/64" from the left hand side of cloth opening in the presser foot. Adjustment 9, Figure 5.

NEEDLE STROKE

Rotate hand wheel in clockwise direction until the needle arm is at the end of its left hand stroke, insert needle in the needle arm, and clamp. Loosen clamp screw of needle arm, and set the point of needle even with the left hand side of looper opening in the presser foot, and tighten clamp screw, Adjustment 5, Figure 5.



## COLUMBIA MODEL 300-10

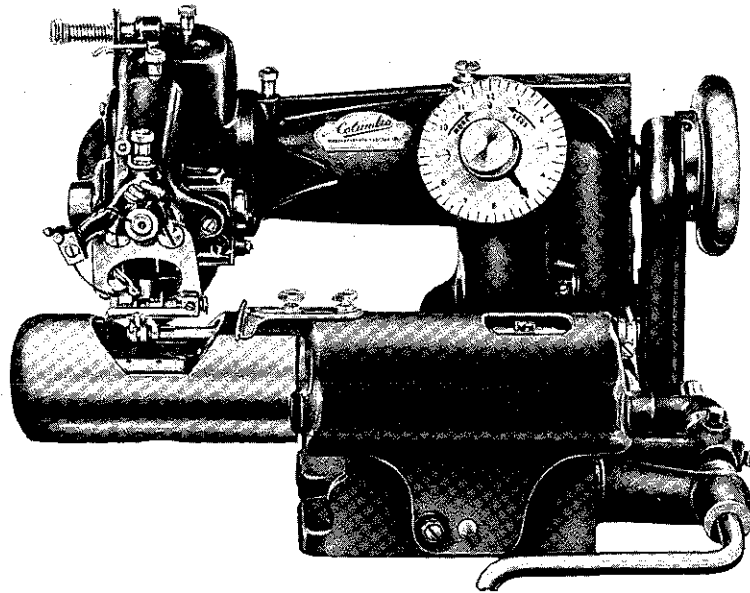
Continue to rotate hand wheel in clockwise direction so that needle is at the extreme right hand end of its stroke. The point of the needle when in this position should be from  $11/16''$  to  $3/4''$  from the right hand side of the cloth opening in the presser foot, check, and if not correct, reset by using eccentric ball stud. Adjustment 4, Figure 2.

#00 FOLDER

When roll edging with #00 folders, the rib must be set  $.047$  ( $3/64''$ ) from the right hand side of the cloth opening in the presser foot.

Set stitch length for 8 stitches per inch, #4 on feed regulator. Adjustment 6, Figure 7.

## COLUMBIA MODEL 300-11 - PANTS BOTTOM MACHINE



THE MODEL 300-11

Model 300-11 is specially fitted for felling pants bottoms. It is equipped with a cylinder end cover for handling the pants leg. The edge guides furnished with the machine can be quickly set to make the turn up the desired depth.

The length of stitch is adjustable, and the machine is equipped with a knee lift.

As the machine is intended to sew cylindrical work only, it is not equipped with a work plate.

INSTRUCTIONS FOR ORDERING PARTS

The parts have been broken up into groups, and these groups are shown below. Turn to plate showing the group in which the part to be ordered is located, find the part, and order by part number. Part number on your order is incomplete without the # sign following the part number. Following is list of plates and groups.

<u>PLATE</u>	<u>PAGE</u>	<u>DESCRIPTION OF GROUP</u>
A	36	Sundry Parts - Head and Arm.
1	38	Main Shaft Group.
4	44	Looper Drive Group.
5	46	Needle Drive Group.
6	48	"Clock Dial" Stitch Depth Adjustment Group.
11	58	Presser Foot Group.
16	68	Work Apron Group.
17	70	Feed Platten Group.
21	78	Knee Lift Group.
24	84	Rib Shaft Group.
26	88	Feed Points.

## COLUMBIA MODEL 300-11

ADDITIONAL ADJUSTMENTS FOR MODEL 300-11

Refer to timing chart, page 10.

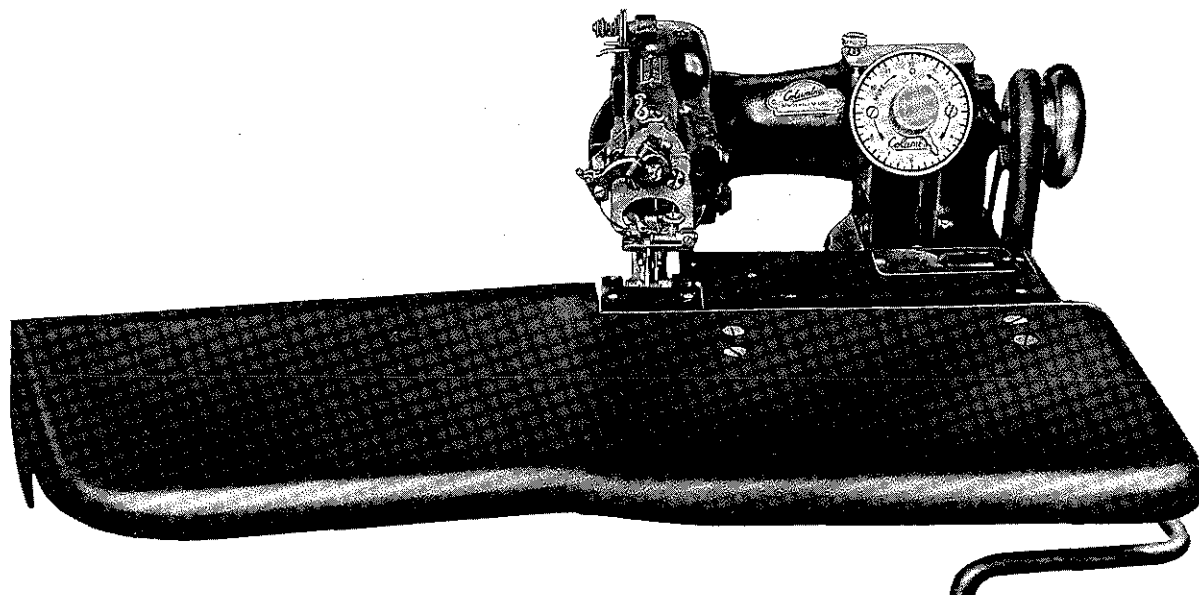
STITCH LENGTH

Set machine to sew 6 stitches per inch. (No. 5 on feed regulator). Adjustment 6, Figure 7.

RIB

Set rib .045 (3/64") from right hand side of rib to left hand side of cloth opening in the presser foot, Adjustment 10 and 11, Figure 5.

## COLUMBIA MODEL 300-12 - FACING - TACKING MACHINE



THE MODEL 300-12

Model 300-12 tacks the facing of women's coats any distance from the edge with a flexible stitch that tacks the facing to the fore part of the coat, holding the garment in shape, and keeps the coat from sagging.

The machine is furnished with a large work plate, and is equipped with a knee lift.

INSTRUCTIONS FOR ORDERING PARTS

The parts have been broken up into groups, and these groups are shown below. Turn to plate showing the group in which the part to be ordered is located, find the part, and order by part number. Part number on your order is incomplete without the # sign following the part number. Following is list of plates and groups.

<u>PLATE</u>	<u>PAGE</u>	<u>DESCRIPTION OF GROUP</u>
A	36	Sundry Parts - Head and Arm.
3	42	Main Shaft Group.
4	44	Looper Drive Group.
5	46	Needle Drive Group.
6	48	"Clock Dial" Stitch Depth Adjustment Group.
10	56	Presser Foot Group.
26	88	Feed Points.
27	90	Right Hand Rib Drive Group.
28	92	Feed Platten Group.
29	94	Left Hand Rib Drive Group.
30	96	Left Hand Rib Adjustment Group.
31	98	Work Apron Group, Two Rib Machines.
32	100	Work Support Group.
33	102	Work Support Bracket Group.

## COLUMBIA MODEL 300-12

ADDITIONAL ADJUSTMENTS FOR MODEL 300-12

Refer to timing chart, page 10.

STITCH LENGTH

Set machine to sew 3 stitches per inch, #9 on feed regulator. Adjustment 6, Figure 7.

PRESSER FOOT

See General Instructions for all Models.

NEEDLE STROKE

Set point of needle when at right hand end of stroke,  $5/8''$  to  $21/32''$  from right hand side of cloth opening to the point of the needle, otherwise the same as in General Instructions for all Models. Adjustment 5, Figure 5.

LOOPER ADJUSTMENT

Looper adjustments are the same as in General Instructions for all Models.

RIBS

There are two ribs in the Model 300-12 machine. The left hand rib raises the body fabric to the needle, and penetration is regulated by the dial knob on the lower part of the apron.

The right hand rib raises the folded facing, including the body fabric (3 ply of material) to the needle, and penetration is regulated by dial knob on the arm.

SET RIGHT HAND RIB

Set position of right hand rib  $.089''$  ( $3/32''$ ) from right hand side of rib, to right hand side of cloth opening in the presser foot. The setting is made by loosening the two work apron shafts set screws. Adjustment 9, Figure 5, and sliding the work apron until the rib is in correct position.

Set height of right hand rib as follows: First, loosen two set screws in dial knob on arm, Adjustment 8, Figure 4. Set pointer, or hand on top of the stop pin, and tighten one set screw. The knob with pointer can now be turned without the pointer striking the stop pin.

Turn the dial knob in "LESS" direction until the adjustment rod, Adjustment 12, Figure 5, leaves contact with the apron. Turn the hand wheel until the needle point is directly over the right hand rib, remove cover on top of the apron and loosen rib connecting rod clamp screw, Adjustment 14, Figure 5, and rotate right hand rib so that the point of the

## COLUMBIA MODEL 300-12

needle is  $1/32$ " back of the radius on nose of the rib, and tighten clamp screw. Now, with the needle point directly over the right hand rib, set height so that rib will lift needle .005" from the needle guide by using the apron stop screw, Adjustment 13, Figure 5, tighten lock nut.

Place three thicknesses of sack coat material under the presser foot, and reset the dial regulator on the arm by turning the dial knob in "LESS" direction until one or two strands of the top material is picked up by the needle to produce a blind stitch. When this condition has been achieved, loosen the dial knob set screw, and reset the indicator point to #9 on the dial, and tighten the two dial knob set screws, Adjustment 8, Figure 4.

SET LEFT HAND RIB

Lower left hand rib by turning the dial knob on work apron bracket in "LESS" direction to the lowest position.

Turn hand wheel in clockwise direction until the left hand rib is in its most advanced position, with needle point directly over the rib; now turn the arm dial knob in "LESS" direction until the indicator pointer strikes the stop pin on dial lowering the work apron.

Now, by turning the graduated dial knob above the apron in "MORE" direction, raise the left hand rib until it lifts the needle .005" from the needle guide, and set stop screw for the work apron bracket.

The stop screw, #18-756, is in the right hand arm under the work apron bracket, see plate 30, page 96. First, remove the lock screw, CS320 1/2 on top of the stop screw, and adjust stop screw as above, and replace lock screw.

Turn arm dial knob in "MORE" direction until indicator point is at #9 and with indicator in this position, and by turning the dial knob indicator on work apron in "MORE" direction, raise the left hand rib to blind stitch a single thickness of medium weight sack coat material.

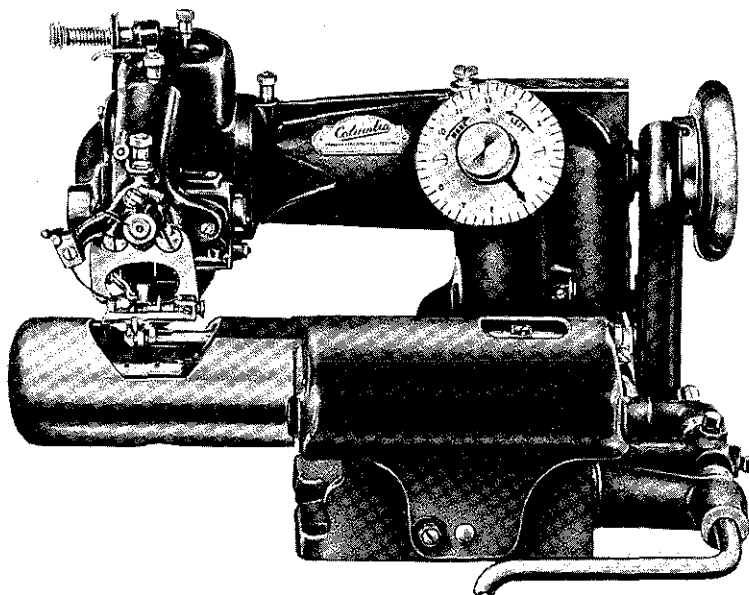
Now set left hand rib so that the needle point is  $1/32$ " in back of the radius on the nose of the left hand rib when at the most forward end of its stroke, and under the needle point. Loosen clamp screw 18-710 in left hand rib crank, 448-133, set rib and tighten clamp screw. See plate 29, page 94.

FEED

Set length of stitch with feed regulator on  $7 \frac{1}{2}$ , Adjustment 6, Figure 7. Turn hand wheel in clockwise direction until feed is on end of stroke nearest the needle. Loosen the two feed screws, and set end of feed from  $1/8$ " to  $3/16$ " back of needle. The depth of feed is set by turning hand wheel in clockwise direction, and set feed so that when needle point is  $1/64$ " to the left of cloth opening in the presser foot, the left hand feed platten will clamp a .003" shim or a piece of newspaper.

## COLUMBIA MODEL 300-14 R

## PADDING MACHINE



THE MODEL 300-14 R

Model 300-14 R is fitted for padding collar and lapels, and felling bridles.

Presser Feet are available for padding from the lighter to the heavy weight materials.

The machine is equipped with a foot treadle or knee lifter.

As the machine is intended for padding work, a work plate is not furnished with this model.

#### INSTRUCTIONS FOR ORDERING PARTS

The parts have been broken up into groups, and these groups are shown below. Turn to plate showing the group in which the part to be ordered is located, find the part, and order by part number. Part number on your order is incomplete without the # sign following the part number. Following is list of plates and groups.

<u>PLATE</u>	<u>PAGE</u>	<u>DESCRIPTION OF GROUP</u>
A	36	Sundry Parts - Head and Arm.
1	38	Main Shaft Group.
4	44	Looper Drive Group.
5	46	Needle Drive Group.
6	48	"Clock Dial" Stitch Depth Adjustment Group.
12	60	Presser Foot Group.
16	68	Work Apron Group.
19	74	Feed Platten Group.
21	78	Knee Lift Group.
24	84	Rib Shaft Group.
26	88	Feed Points.

## COLUMBIA MODEL 300-14 R

ADDITIONAL ADJUSTMENTS FOR MODEL 300-14 R

Refer to timing chart, page 10.

LENGTH OF STITCH

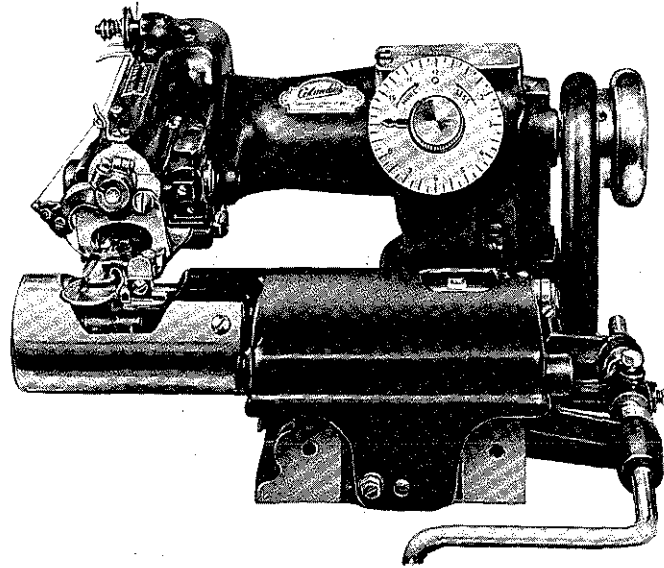
Set machine to sew 6 stitches per inch. (#8 on feed regulator). Adjustment 6, Figure 7.

RIB

Set rib in center of cloth opening in the presser foot. Adjustment 10 and 11, Figure 5.



## COLUMBIA MODEL 300-15 - BOOK SEAM MACHINE



THE MODEL 300-15

Model 300-15 is fitted for sewing a turned under edge of the seam of a coat (sometimes referred to as book seaming).

This method of finishing the seams of a coat eliminates piping the seam. \*

The machine is equipped with a work plate, and with a knee lift. (Not shown in photo.)

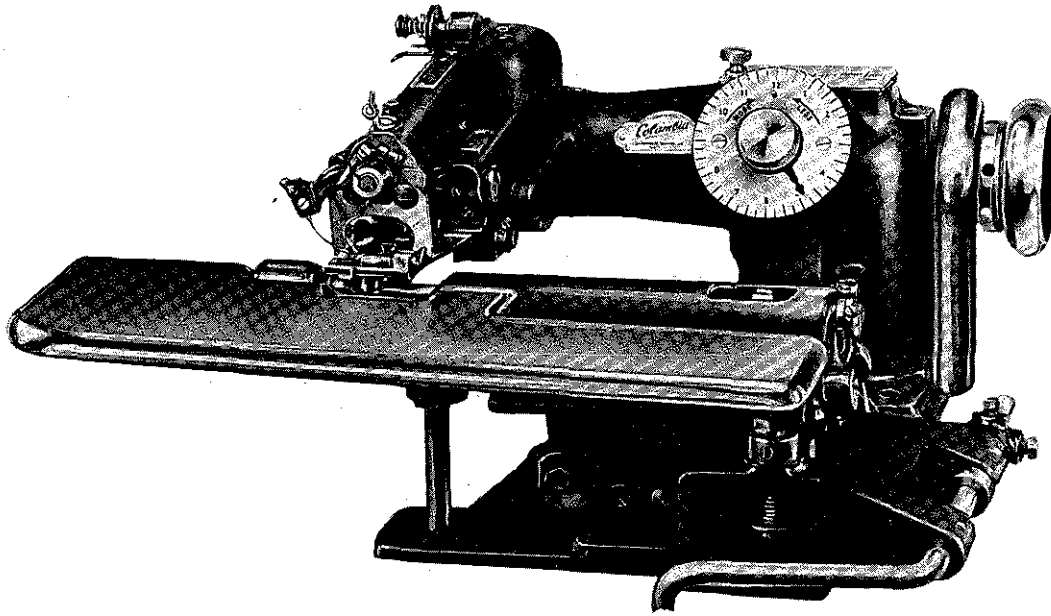
Folders are available for the various weights of material used in making coats.

INSTRUCTIONS FOR ORDERING PARTS

The parts have been broken up into groups, and these groups are shown below. Turn to the plate showing the group in which the part to be ordered is located, find the part, and order by part number. Part number on your order is incomplete without the # sign following the part number. Following is list of plates and groups.

<u>PLATE</u>	<u>PAGE</u>	<u>DESCRIPTION OF GROUP</u>
A	36	Sundry Parts - Head and Arm.
1	38	Main Shaft Group.
4	44	Looper Drive Group.
5	46	Needle Drive Group.
6	48	"Clock Dial" Stitch Depth Adjustment Group.
14	64	Presser Foot Group.
15	66	Work Table and Knee Lift Group.
16	68	Work Apron Group.
20	76	Feed Platten Group.
23	82	Folder Group.
25	86	Rib Shaft Group.
26	88	Feed Points.

COLUMBIA MODEL 300-20 MACHINE  
HEMMING MACHINE



THE MODEL 300-20

The Model 300-20 is a skip stitch machine for hemming with a two-to-one skip stitch, which means that the needle penetrates the base lay or body fabric every other stitch, and penetrates the hem or folded edge every stitch.

Using the skip stitch method, garments can be sewed equal to, and better than hand work, when the material used is of fair weight, and as the machine was designed to use a curved needle, a blind stitch will be made. On light weight materials, such as dresses made of cotton, silks and rayon, every other stitch will appear on the finished side of the garment as a very small dot, the same as a garment made by hand.

The following operations are examples of work that are produced by the Model 300-20:

Dresses and Blouses - Hemming Bottoms, Sleeves  
and Felling Facings.

Womens Coats - Felling Linings.

Department Store Alterations - Shortening Dresses.

Lingerie.

Hemming Tailored Bottoms.

#### INSTRUCTIONS FOR ORDERING PARTS

The parts have been broken up into groups, and these groups are shown below. Turn to the plate showing the group in which the part to be ordered is located, find the part, and order by part number. Part number on your order is incomplete without the # sign following the part number. Following is list of plates and groups.

## COLUMBIA MODEL 300-20

<u>PLATE</u>	<u>PAGE</u>	<u>DESCRIPTION</u>
A	36	Sundry Parts - Head and Arm.
2	40	Main Shaft Group.
4	42	Looper Drive Group.
5	46	Needle Drive Group.
6	48	"Clock Dial" Stitch Depth Adjustment Group.
7	50	Skip Stitch Group.
8	52	Skip Stitch Mechanism.
9	54	Presser Foot Group.
15	66	Work Table and Knee Lift Group.
16	68	Work Apron Group.
17	70	Feed Platten Group.
25	86	Rib Shaft Group.
26	88	Feed Points.

ADDITIONAL ADJUSTMENTS FOR MODEL 300-20

Refer to timing chart, page 10.

STITCH LENGTH

Generally set 3 stitches per inch, #9 on stitch regulator, Adjustment 6, Figure 7.

RIB

Set rib in center of cloth opening in the presser foot, Adjustment 9, Figure 5.

CLOTH RETAINER

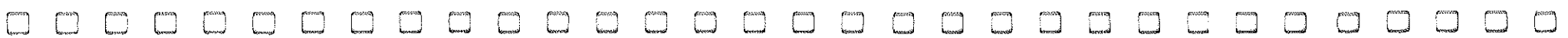
Rotate hand wheel clockwise until the rib is at the end of its oscillation, and under the needle. Adjust the cloth retainer to just clear the needle, and center the cloth retainer to the rib. To check this setting, insert a strip of paper on each side of the rib, under the retainer; the retainer must clamp both strips of the paper. See Adjustment 7, Figure 6.



GROUPS - WHERE USED

Plate A Sundry Parts - Head & Arm .....	300-5	300-10	300-11	300-12	300-14 R	300-15	300-20
Plate 1 Main Shaft Group .....	300-5	300-10	300-11	————	300-14 R	300-15	————
Plate 2 Main Shaft Group .....	————	————	————	————	————	————	300-20
Plate 3 Main Shaft Group .....	————	————	————	300-12	————	————	————
Plate 4 Looper Drive Group .....	300-5	300-10	300-11	300-12	300-14 R	300-15	300-20
Plate 5 Needle Drive Group .....	300-5	300-10	300-11	300-12	300-14 R	300-15	300-20
Plate 6 "Clockial" Stitch Depth Adjustment Group .....	300-5	300-10	300-11	300-12	300-14 R	300-15	300-20
Plate 7 Skip Stitch Group .....	————	————	————	————	————	————	300-20
Plate 8 Skip Stitch Mechanism .....	————	————	————	————	————	————	300-20
Plate 9 Presser Foot Group .....	300-5	————	————	————	————	————	300-20
Plate 10 Presser Foot Group .....	————	————	————	300-12	————	————	————
Plate 11 Presser Foot Group .....	————	————	300-11	————	————	————	————

GROUPS - WHERE USED							
	300-5	300-10	300-11	300-12	300-14 R	300-15	300-20
Plate 12 Presser Foot Group.....	—	—	—	—	300-14 R	—	—
Plate 13 Presser Foot Group.....	—	300-10	—	—	—	—	—
Plate 14 Presser Foot Group.....	—	—	—	—	—	300-15	—
Plate 15 Work Table & Knee Lift Group.....	300-5	—	—	—	—	300-15	300-20
Plate 16 Work Apron Group .....	300-5	300-10	300-11	—	300-14 R	300-15	300-20
Plate 17 Feed Platten Group.....	300-5	—	300-11	—	—	—	300-20
Plate 18 Feed Platten Group.....	—	300-10	—	—	—	—	—
Plate 19 Feed Platten Group.....	—	—	—	—	300-14 R	—	—
Plate 20 Feed Platten Group.....	—	—	—	—	—	300-15	—
Plate 21 Knee Lift Group.....	—	300-10	300-11	300-12	300-14 R	—	—
Plate 22 Folder Group.....	—	300-10	—	—	—	—	—
Plate 23 Folder Group.....	—	—	—	—	—	300-15	—



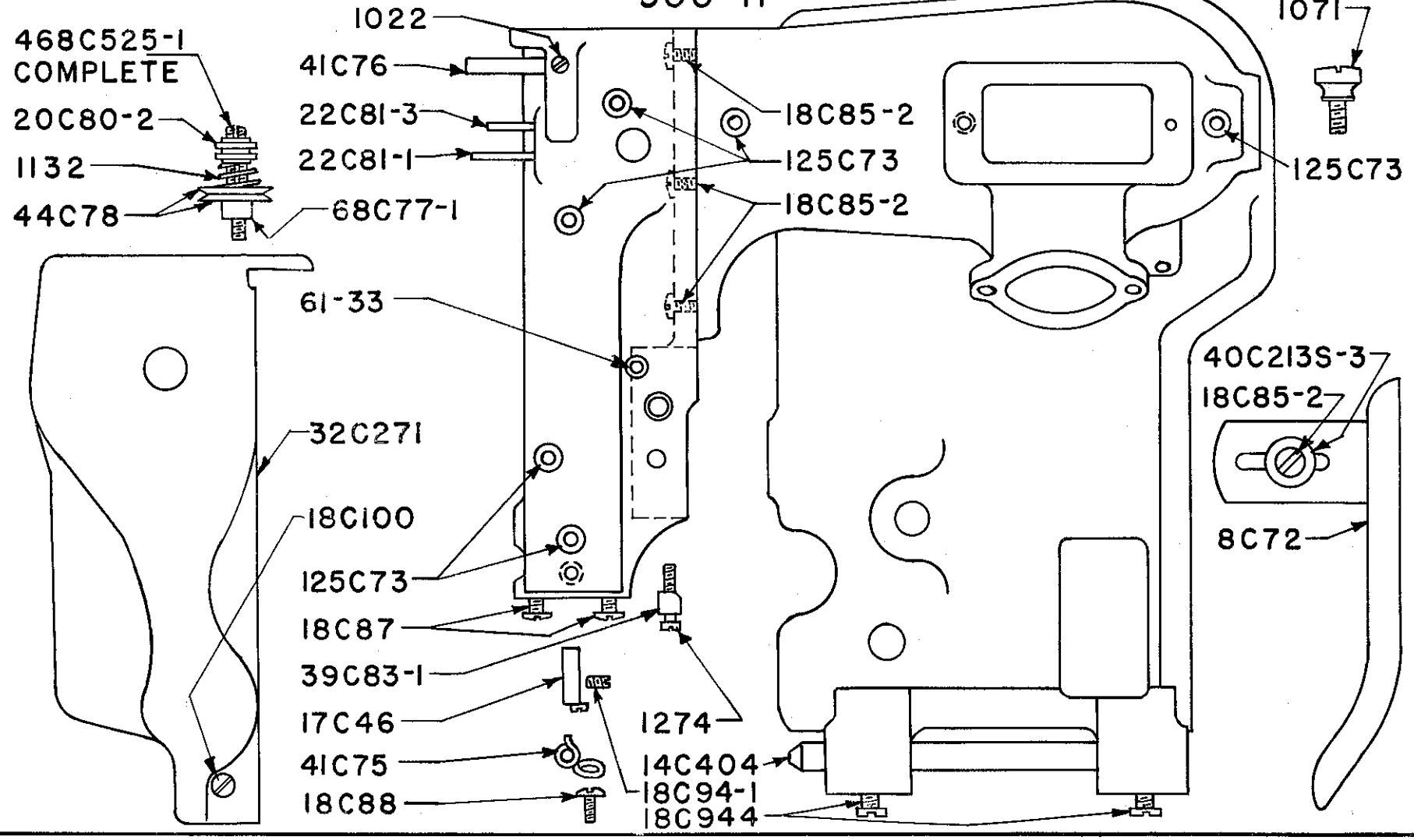
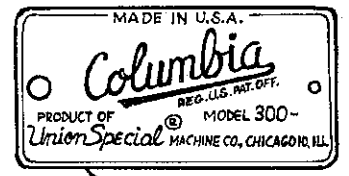
GROUPS - WHERE USED

Plate 24 Rib Shaft Group.....	300-5	300-10	300-11	—	300-14 R	—	—
Plate 25 Rib Shaft Group.....	—	—	—	—	—	300-15	300-20
Plate 26 Feed Points .....	300-5	300-10	300-11	300-12	300-14 R	300-15	300-20
Plate 27 Right Hand Rib Drive Group.....	—	—	—	300-12	—	—	—
Plate 28 Feed Platten Group.....	—	—	—	300-12	—	—	—
Plate 29 Left Hand Rib Drive Group.....	—	—	—	300-12	—	—	—
Plate 30 Left Hand Rib Adjusting Group.....	—	—	—	300-12	—	—	—
Plate 31 Work Apron Group Two Rib Machines .....	—	—	—	300-12	—	—	—
Plate 32 Work Support Group.....	—	—	—	300-12	—	—	—
Plate 33 Work Support Bracket Group .....	—	—	—	300-12	—	—	—

# HEAD & ARM GROUP

MODELS

300-5	300-12
300-10	300-14 R
300-11	300-15
	300-20





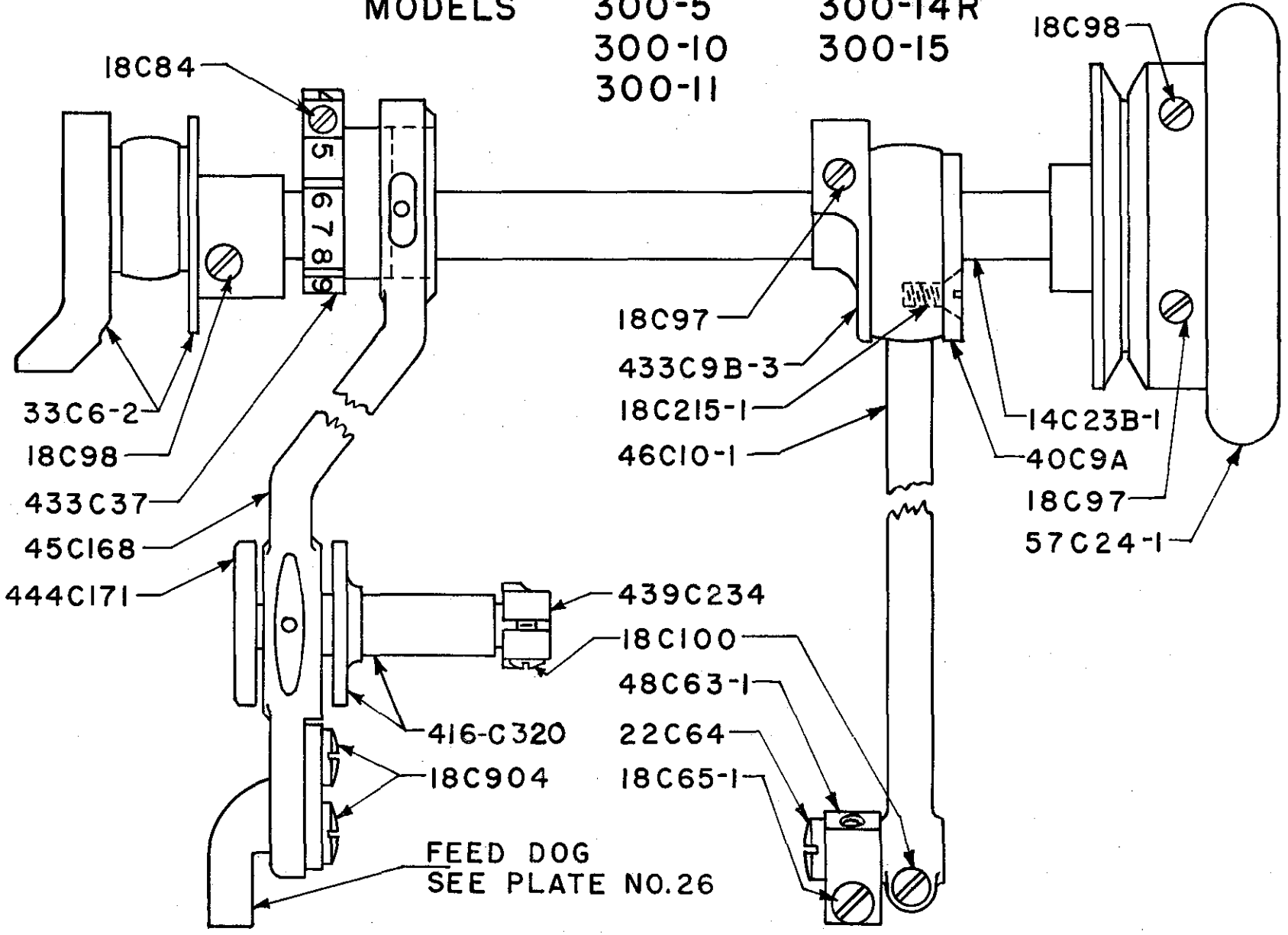
SUNDRY PARTS - HEAD AND ARM

GROUP

<u>PLATE A</u>	300-5 300-10	300-11 300-12 300-14 R	300-15 300-20
8 C 72	Belt Guard.		39 C 83-1 Clamp Collar for eccentric bushing in head for adjusting looper.
14 C 404	Shaft for work apron.		40 C 213S-3 Washer for belt guard.
17 C 46	Presser Foot Adjusting Stud.		41 C 75 Thread Guide Front.
18 C 82	Screw for clamping feed riser bushing.		41 C 76 Thread Guide Rear.
18 C 85-2	Screw for belt guard.		44 C 78 Tension Disc.
18 C 87	Screw for attaching head to arm.		61-33 Oil Tube for feed lever.
18 C 88	Screw for front thread guide.		68 C 77-1 Tension Staff.
18 C 94-1	Set Screw for presser foot adjusting stud, 17 C 46.		97 C 45 Name Plate on top of arm.
18 C 100	Screw for side and rear covers on head.		125 C 73 Oil Cups.
18 C 944	Set Screw for work apron shaft.	1022	Set Screw for rear thread guide.
20 C 80-2	Nut for adjusting tension disc.	1071	Screw for name plate on top of arm.
22 C 81-1	Pin for front thread guide.	1132	Spring for tension disc.
22 C 81-3	Pin to lock tension disc.	1274	Screw for clamping eccentric bushing in head for adjusting looper.
32 C 271	Cover on side of head and rear of head.	468 C 525-1	Tension Device Complete.

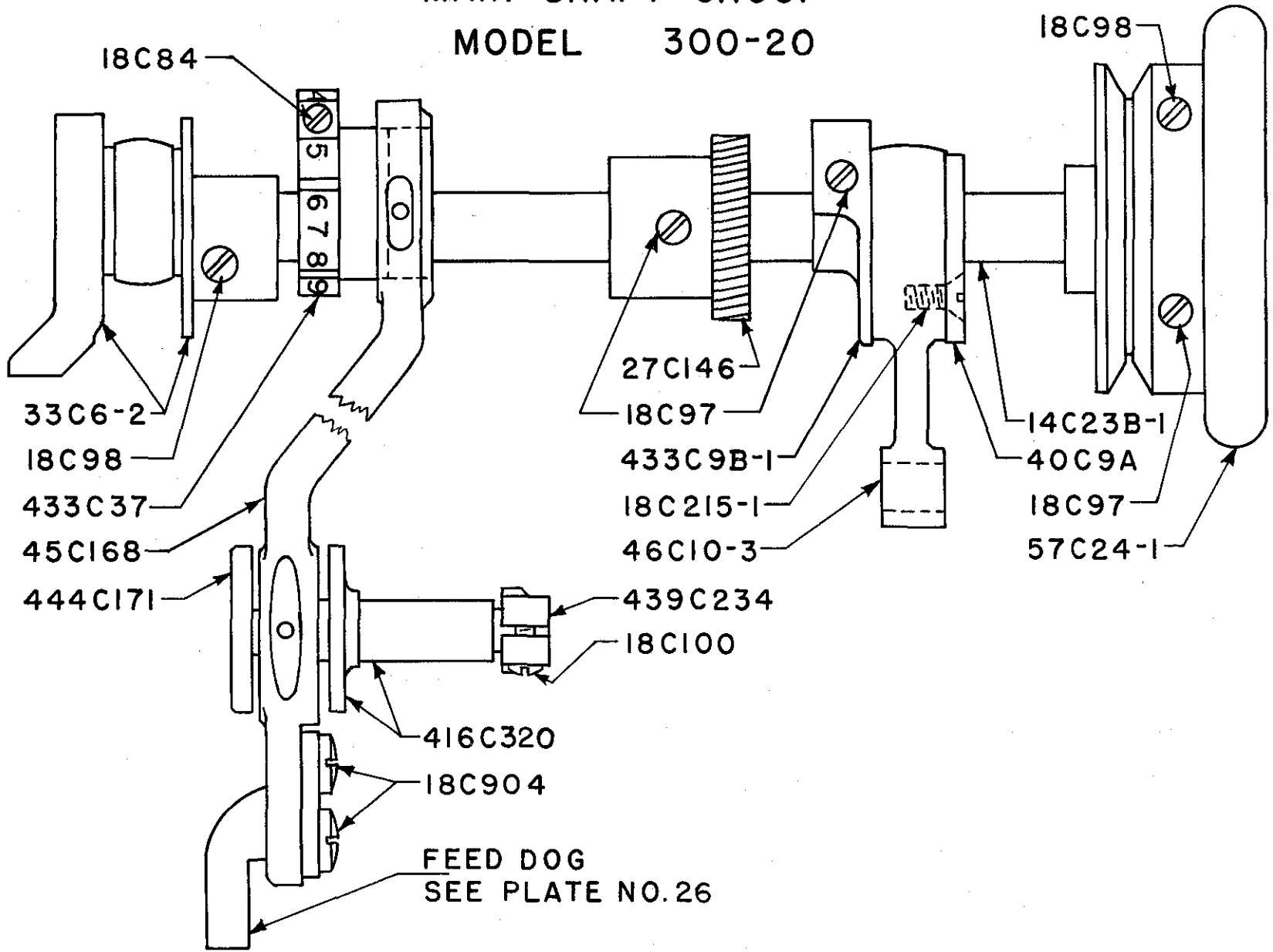
# MAIN SHAFT GROUP

MODELS	300-5	300-14R
	300-10	300-15
	300-11	





# MAIN SHAFT GROUP MODEL 300-20



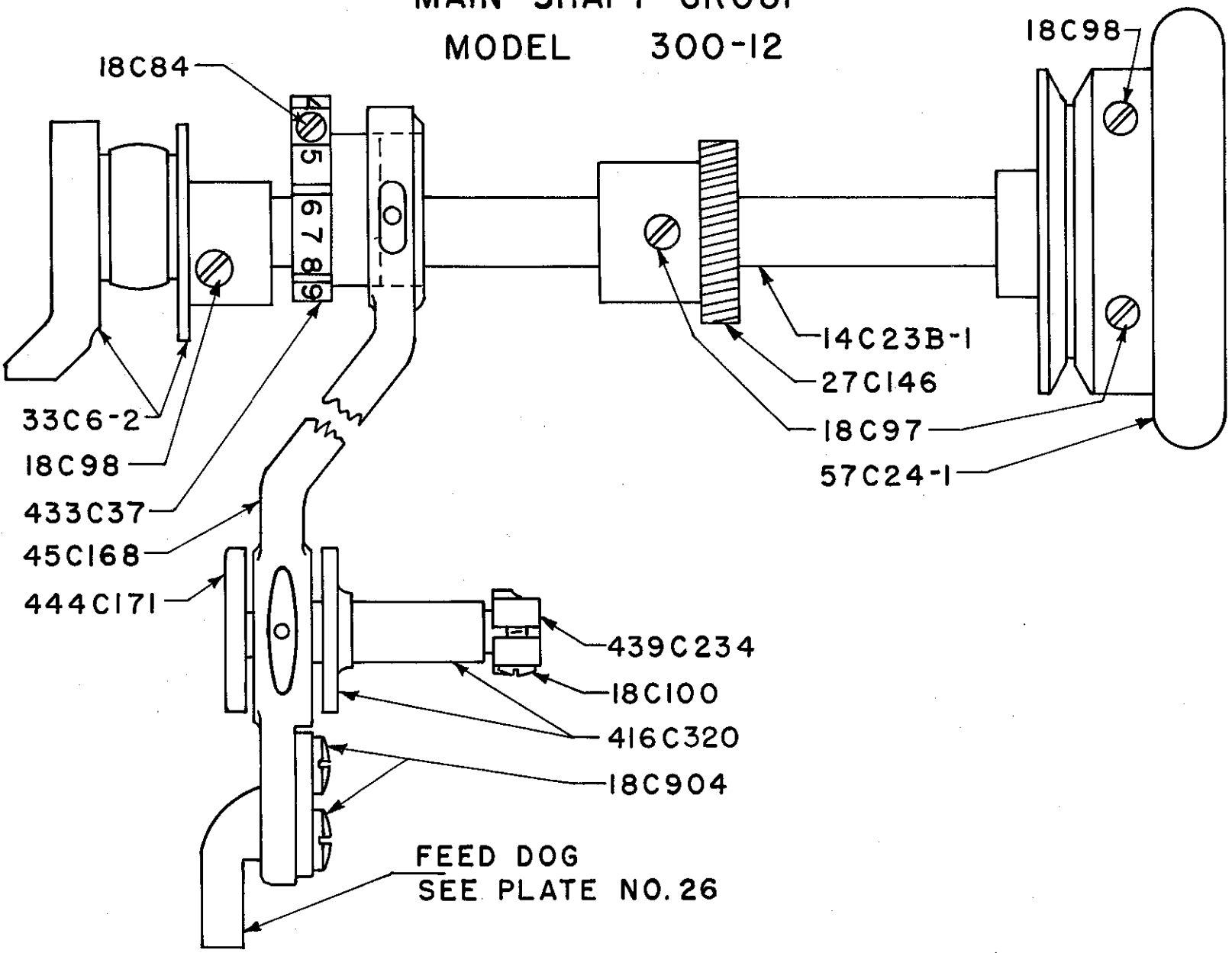
MAIN SHAFT GROUP

PLATE 2

MODEL 300-20

14 C 23B1	Main Shaft.	27 C 146	Driving Gear on main shaft.
18 C 84	Screw for feed adjustment sleeve.	33 C 6-2	Eccentric on main shaft for feed and needle.
18 C 97	Set Screw (Dog Point) for belt pulley. Set Screw (Dog Point) for rib eccentric on main shaft. Set Screw (Dog Point) for driving gear on main shaft.	40 C 9A	Washer for rib eccentric on main shaft.
		45 C 168	Feed Lever.
18 C 98	Set Screw for belt pulley. Set Screw for eccentric for feed and needle drive.	46 C 10-3	Link for driving rocker crank.
		57 C 24-1	Pulley for belt.
18 C 100	Screw for feed riser disc collar.	416 C 320	Feed Riser Bushing Complete.
18 C 215-1	Screw for washer for rib eccentric.	433 C 9B-1	Rib Eccentric on main shaft.
18 C 904	Screws for feed.	433 C 37	Eccentric Sleeve for feed adjustment.
		439 C 234	Feed Riser Disc Collar.
		444 C 171	Feed Riser Disc Complete.

# MAIN SHAFT GROUP MODEL 300-12



18C84

4  
5  
6  
7  
8  
9

33C6-2

18C98

433C37

45C168

444C171

439C234

18C100

416C320

18C904

FEED DOG  
SEE PLATE NO. 26

18C98

14C23B-1

27C146

18C97

57C24-1

MAIN SHAFT GROUP

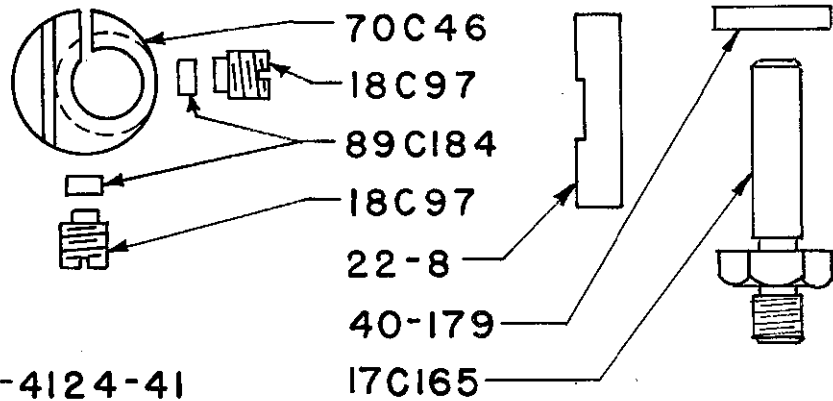
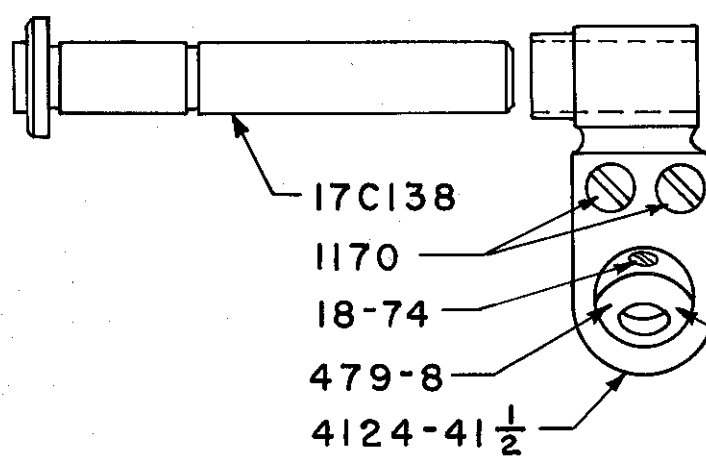
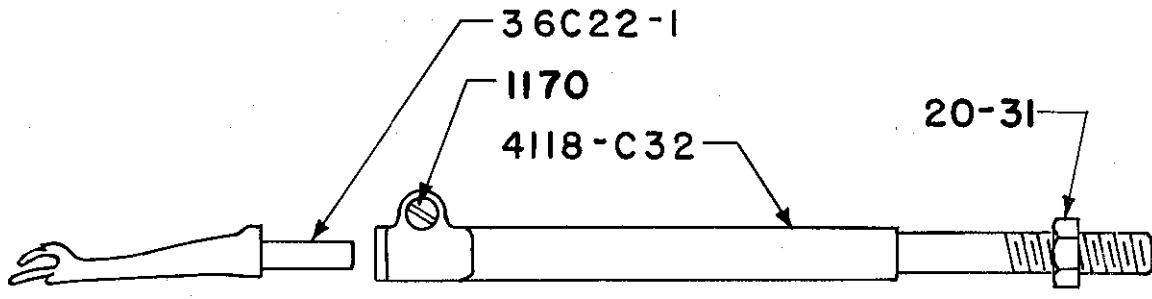
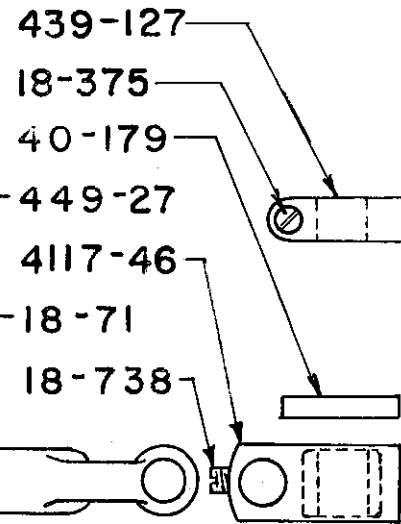
PLATE 3

MODEL 300-12

- 14 C 23B-1 Main Shaft.
- 18 C 84 Screw for feed adjustment sleeve.
- 18 C 97 Screw (Dog Point) for belt pulley.  
Screw (Dog Point) for driving gear on main shaft.
- 18 C 98 Set Screw for belt pulley.  
Set Screw for eccentric for feed and needle drive.
- 18 C 100 Screw for feed riser disc collar.
- 18 C 904 Screws for feed.
- 27 C 146 Driving Gear on main shaft.
- 33 C 6-2 Eccentric on main shaft for feed and needle.
- 45 C 168 Feed Lever.
- 57 C 24-1 Pulley for belt.
- 416 C 320 Feed Riser Bushing Complete.
- 433 C 37 Eccentric Sleeve for feed adjustment.
- 439 C 234 Feed Riser Disc Collar.
- 444 C 171 Feed Riser Disc Complete.

# LOOPER GROUP FOR MODELS

	300-12
300-5	300-14 R
300-10	300-15
300-11	300-20



4124-41



## LOOPER DRIVE GROUP

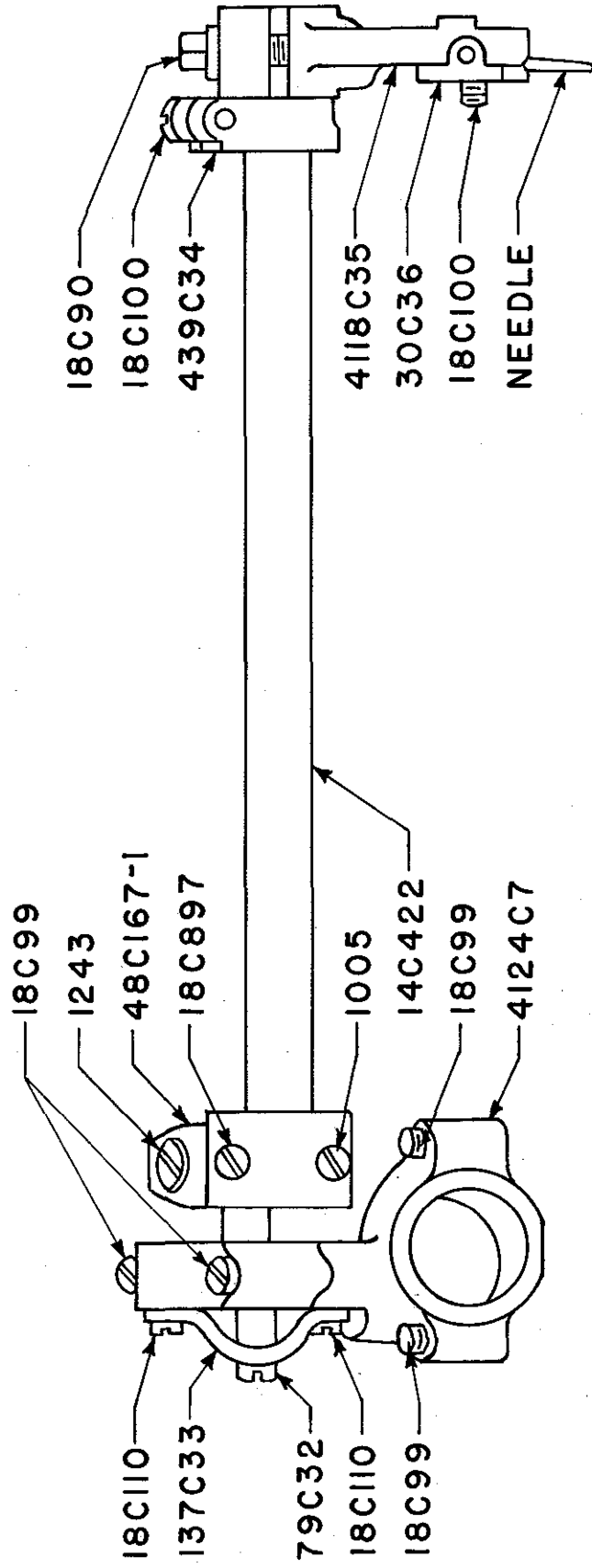
### MODELS

PLATE 4

	300-5 300-10	300-11 300-12 300-14 R	300-15 300-20
17 C 138	Looper Ball Joint Stud.	70 C 46	Eccentric Bushing in head for adjusting looper.
17 C 165	Screw Stud for looper bearing.	89 C 184	Plugs for screw to clamp looper eccentric bushing.
18-71	Screw to clamp looper yoke.	439-127	Looper Bearing Collar.
18-74	Spot Screw for looper ball joint.	449-27	Looper Yoke Complete with screw, 18-71.
18 C 97	Screw for clamping looper eccentric adjusting bushing.	479-8	Looper Ball Joint with screw 18-74.
18-375	Screw for looper bearing collar.	4117-46	Looper Bearing Complete.
18-738	Set Screw for looper bearing pin.	4118 C 32	Looper Carrier Complete with screw 1170.
20-31	Nut for 4118 C 32.	4124-41-1/2	Looper Ball Joint Casing.
22-8	Pin for looper yoke.	4124-41	Looper Ball Joint Complete with 479-8.
36 C 22-1	Looper.	1170	Screws for looper ball joint casing and for clamping looper.
40-179	Washer for looper bearing.		

# NEEDLE DRIVE GROUP FOR MODELS

- 300-5
- 300-10
- 300-11
- 300-12
- 300-14R
- 300-15
- 300-20



## NEEDLE DRIVE GROUP

### MODELS

PLATE 5

300-5  
300-10

300-11  
300-12  
300-14 R

300-15  
300-20

<p>14 C 422 18 C 90 18 C 99 18 C 100 18 C 110 18 C 897 30 C 36 48 C 167-1 79 C 32 137 C 33 439 C 34 4118 C 35 4124 C 7 1005 1243</p>	<p>Needle Drive Shaft. Screw for clamping needle arm. Screws for needle shaft ball joint. Screw for clamping needle shaft collar. Screw for needle clamp. Screw for needle shaft eccentric ball retainer. Screw (spot) for needle shaft crank. Needle Clamp. Crank for driving needle shaft. Ball eccentric Stud for needle shaft. Retainer for needle shaft eccentric ball. Collar for needle shaft. Needle Arm. Ball Joint Casing with screws for needle shaft. Set Screw for needle shaft crank. Screw for clamping needle shaft crank.</p>
--	--

# "CLOCK DIAL" STITCH DEPTH ADJUSTMENT GROUP MODELS

300-5  
300-10  
300-11

300-12

300-14 R  
300-15  
300-20

45C150  
115C113  
22C151-1

18C94-1  
22C214-1  
71C152

18C880  
22C137  
22C81-4

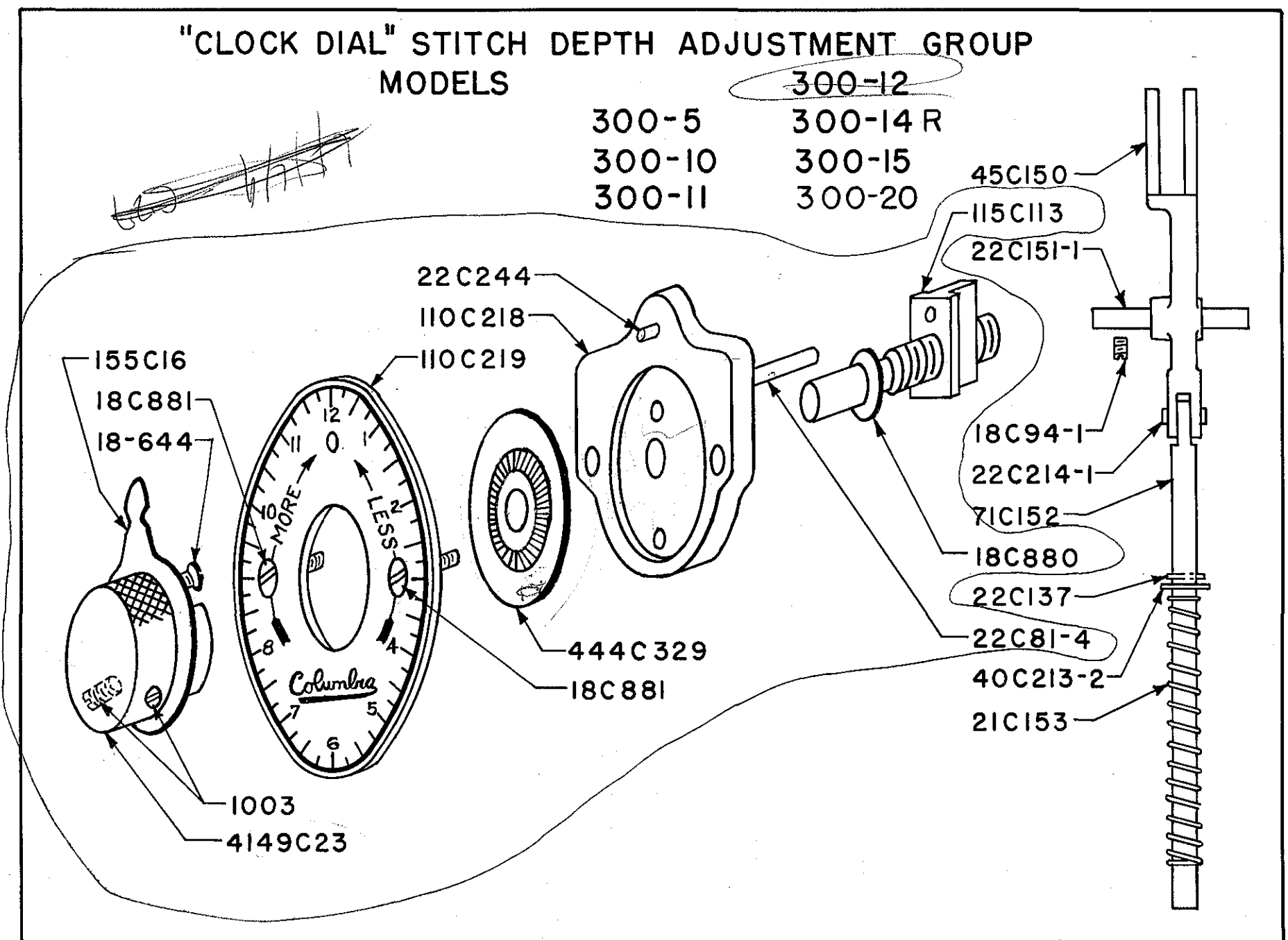
40C213-2  
21C153

22C244  
110C218  
110C219

444C329  
18C881

155C16  
18C881  
18-644

1003  
4149C23

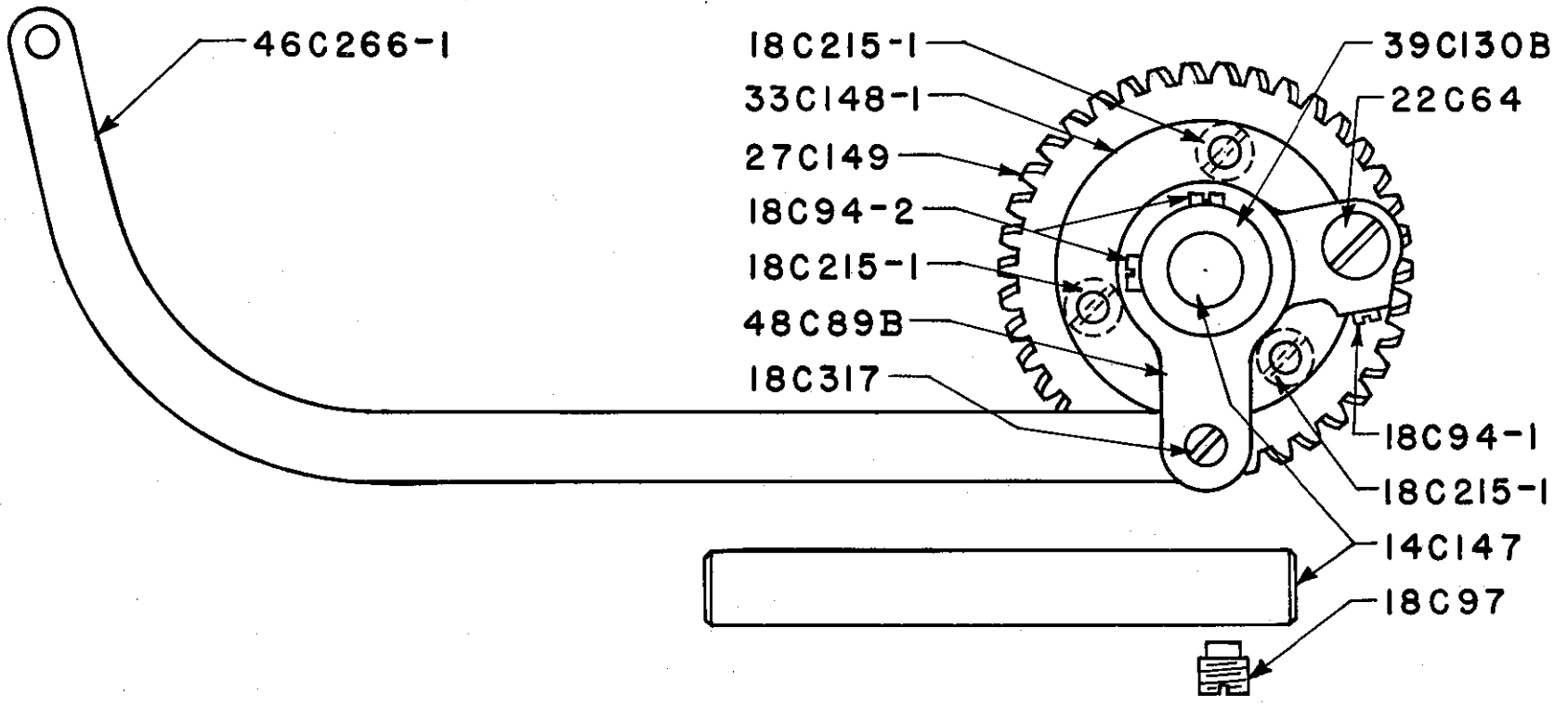


"CLOCK DIAL"

STITCH DEPTH ADJUSTMENT GROUP

<u>PLATE 6</u>		MODELS		
		300-5 300-10	300-11 300-12 300-14 R	300-15 300-20
18 C 94-1	Set Screw for Fulcrum pin for regulator fork, 45 C 150.		40 C 213-2	Washer for stitch depth regulator rod.
18-644	Screws for indicator for stitch depth regulator.		45 C 150	Fork for rod for moving work apron.
18 C 880	Screw for adjusting depth of stitch.		71 C 152	Rod in stitch depth regulator for moving work apron.
18 C 881	Screws for "Clock Dial" plate.		110 C 218	Plate for mounting "Clock Dial".
21 C 153	Spring for stitch depth regulator rod.		110 C 219	"Clock Dial" Plate.
22 C 81-4	Pin Guide in mounting plate for "Clock Dial".		115 C 113	Stitch Depth Regulator Block.
22 C 137	Cotter Pin for spring on stitch depth regulator rod.		155 C 16	Indicator for stitch depth regulator.
22 C 151-1	Pin Fulcrum for regulator fork.		444 C 329	Ratchet Disc with pin for stitch depth regulator.
22 C 214-1	Hinge Pin for regulator fork and rod.		4149 C 23	Stitch Depth Regulator Knob.
22 C 244	Pin Stop in mounting plate for "Clock Dial".		1003	Set Screws for stitch depth regulator knob.

# SKIP STITCH GROUP MODEL 300-20



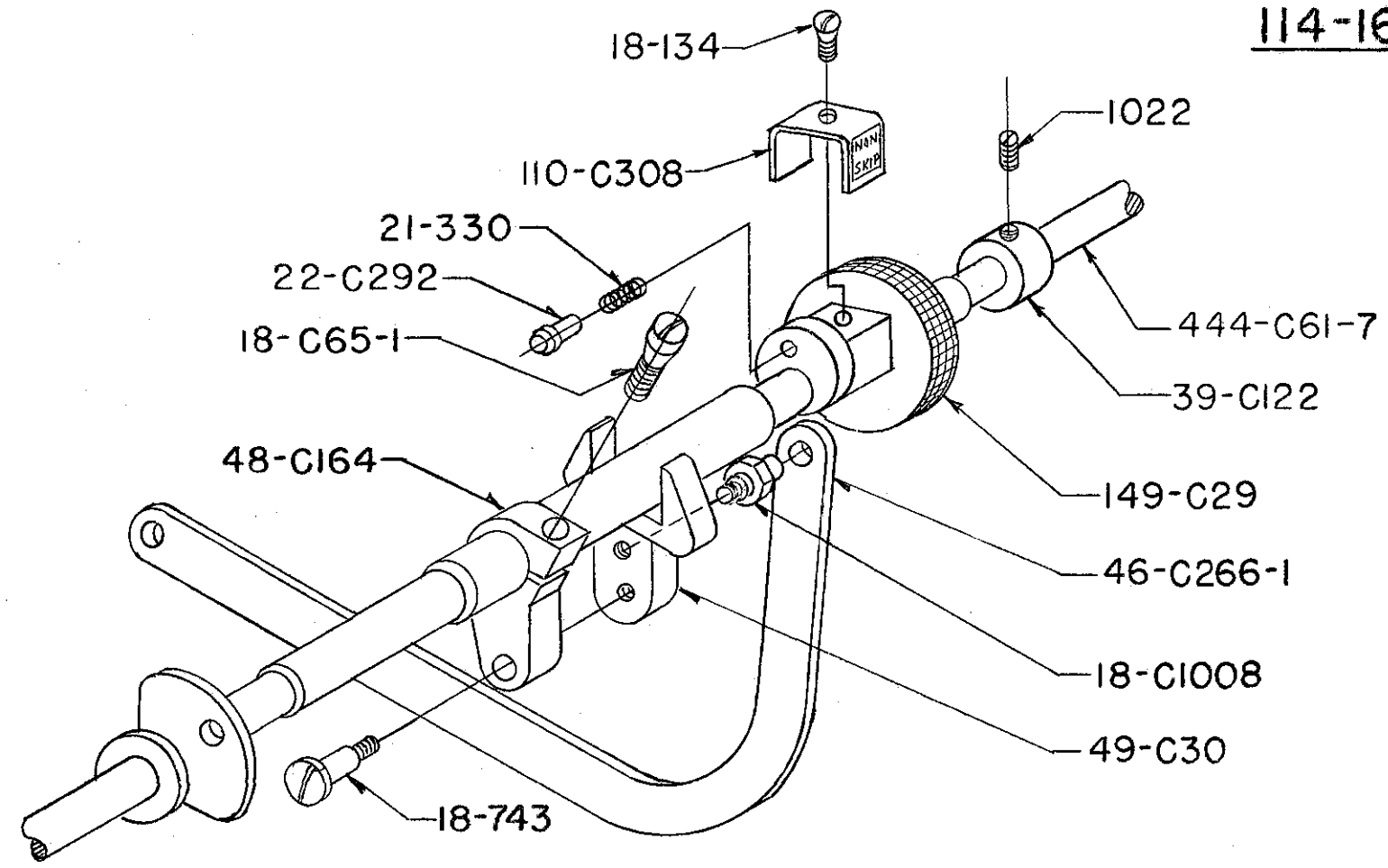
SKIP STITCH GROUP

PLATE 7

MODEL 300-20

- 14 C 147 Shaft for driven gear.
- 18 C 94-1 Set Screw for crank for rocking rib shaft.
- 18 C 94-2 Set Screw for collar 39 C 130 B, for driven gear.
- 18 C 97 Set Screw for driven gear shaft.
- 18 C 215-1 Screws for eccentric to driven gear.
- 18 C 317 Screw Bearing for rib rocker crank and link.
- 22 C 64 Pin Bearing for crank for rocking rib shaft.
- 27 C 149 Gear (Driven) for skip stitch rib.
- 33 C 148-1 Eccentric for skip stitch rib driven gear.
- 39 C 130 B Collar for driven gear 27 C 149.
- 46 C 266-1 Link for driving rib shaft.
- 48 C 89 B Crank for rocking rib shaft.

114-163



ASSEMBLY OF PARTS FOR SKIP-STITCH MECHANISM  
FOR COLUMBIA MODEL 300-20



SKIP STITCH MECHANISM

PLATE 8

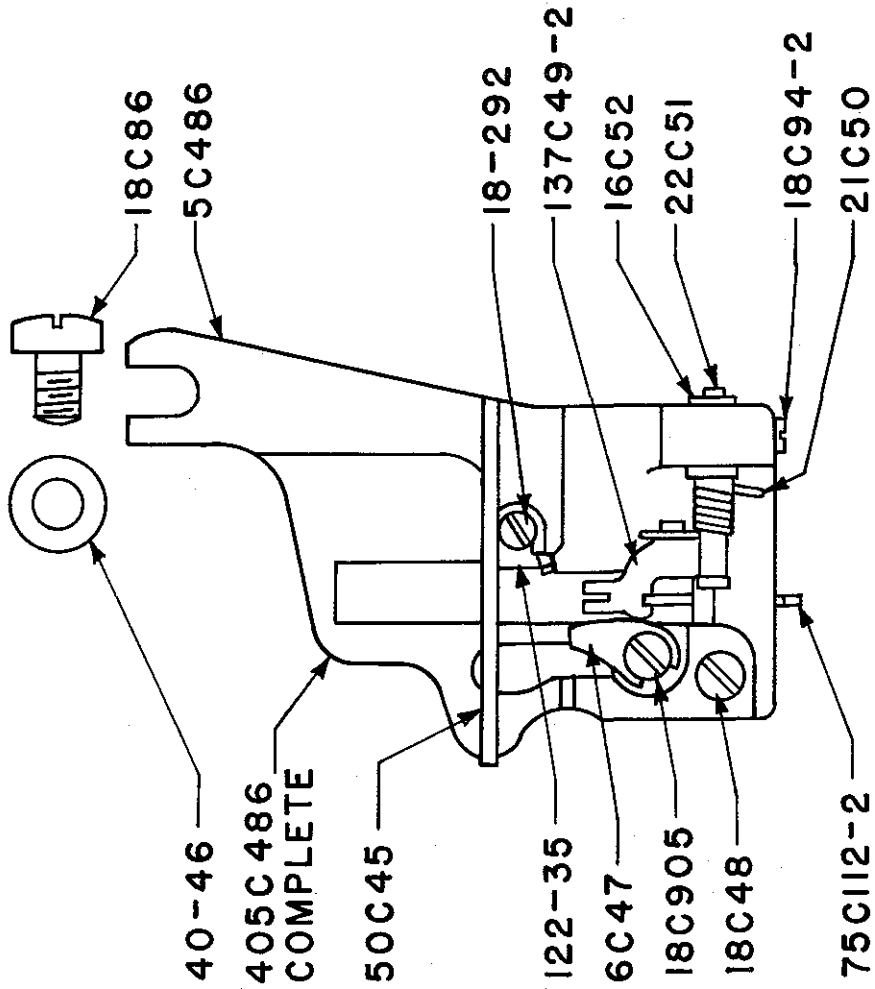
MODEL 300-20

18 C 65-1 Clamp Screw for crank 48 C 164.  
18-134 Screw for indicator plate.  
18-743 Bearing Screw for yoke 49 C 30.  
18 C 1008 Bearing Screw for link 46 C 266-1.  
21-330 Spring for pin 22 C 292.  
22 C 292 Pin for locating regulator 149 C 29.  
39 C 122 Thrust Collar for regulator 149 C 29.  
46 C 266-1 Link for driving rib shaft.  
48 C 164 Crank for rib shaft.  
49 C 30 Yoke for skip stitch.  
110 C 308 Indicator Plate.  
149 C 29 Regulator for quick change.  
444 C 61-7 Rib Shaft with rib.  
1022 Set Screw for collar 39 C 122.

# PRESSER FOOT GROUP

MODEL 300-20

300-5



PRESSER FOOT GROUP

MODELS

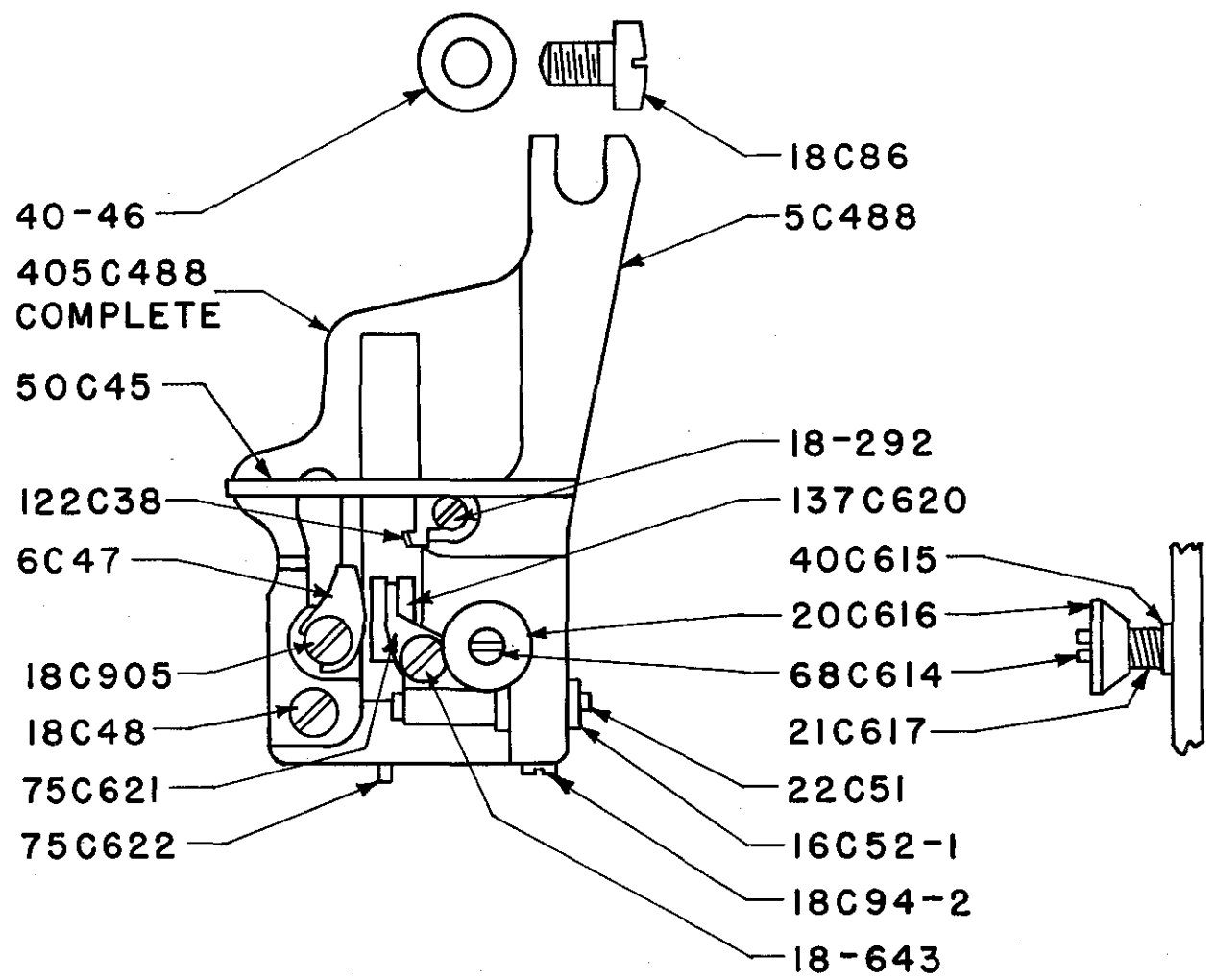
PLATE 9

300-5

300-20

- |            |   |
|------------|---|
| 5 C 486    | Presser Foot Only.                            |
| 6 C 47     | Needle Guide.                                 |
| 16 C 52    | Bushing (Eccentric) for cloth retainer.       |
| 18 C 48    | Screw for edge guide.                         |
| 18 C 86    | Screw for attaching presser foot to head.     |
| 18 C 94-2  | Screw for clamping eccentric bushing 16 C 52. |
| 18-292     | Screw for chaining finger.                    |
| 18 C 905   | Screw for needle guide.                       |
| 21 C 50    | Spring for cloth retainer.                    |
| 22 C 51    | Hinge Pin for cloth retainer.                 |
| 40-46      | Washer for presser foot screw 18 C 86.        |
| 50 C 45    | Presser Foot Bridge.                          |
| 75 C 112-2 | Edge Guide.                                   |
| 122-35     | Chaining Finger.                              |
| 137-C49-2  | Cloth Retainer.                               |
| 405 C 486  | Presser Foot Complete Assembly.               |

# PRESSER FOOT GROUP MODEL 300-12



PRESSER FOOT GROUP

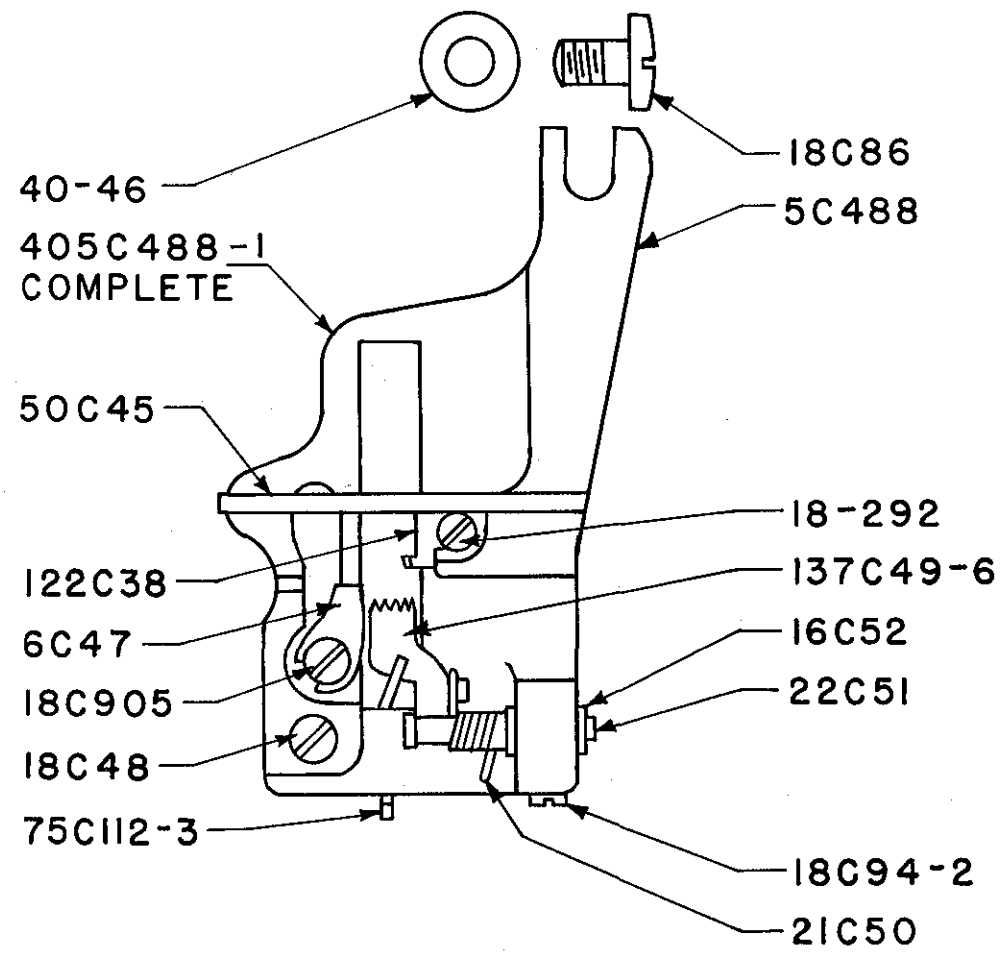
MODEL

300-12

PLATE 10

5 C 488	Presser Foot Only.	21 C 617	Spring for cloth retainer.
6 C 47	Needle Guide.	22 C 51	Hinge Pin for cloth retainer.
16 C 52-1	Bushing (Eccentric) for cloth retainer.	40-46	Washer for presser foot screw, 18 C 86.
18 C 48	Screw for edge guide, 75 C 622.	40 C 615	Washer for cloth retainer staff.
18 C 86	Screw for attaching presser foot to head.	50 C 45	Presser Foot Bridge.
18 C 94-2	Screw for clamping eccentric bushing 16 C 52.	68 C 614	Staff for cloth retainer.
18-292	Screw for chaining finger.	75 C 621	Edge Guide on cloth retainer.
18 C 643	Screw for edge guide, 75 C 621.	75 C 622	Edge Guide on presser foot.
18 C 905	Screw for needle guide.	122 C 38	Chaining Finger.
20 C 616	Nut for cloth retainer staff.	137 C 620	Cloth Retainer.
		405 C 488	Presser Foot Complete Assembly.

# PRESSER FOOT GROUP MODEL 300-II



PRESSER FOOT GROUP

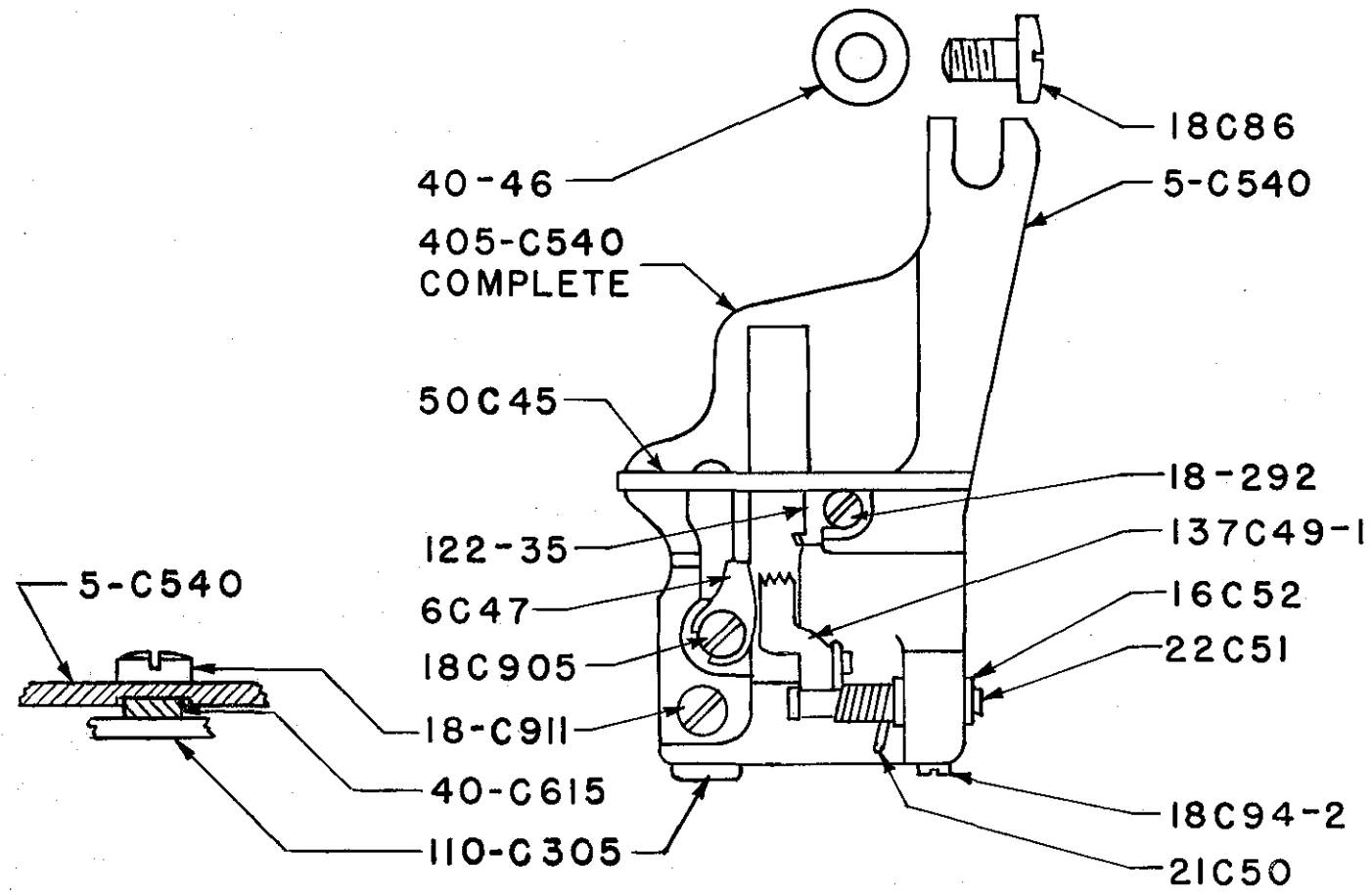
MODEL

PLATE 11

300-11

- 5 C 488 Presser Foot Only.
- 6 C 47 Needle Guide.
- 16 C 52 Bushing (Eccentric) for cloth retainer.
- 18 C 48 Screw for edge guide.
- 18 C 86 Screw for attaching presser foot to head.
- 18 C 94-2 Screw for clamping eccentric bushing 16 C 52.
- 18-292 Screw for chaining finger.
- 18 C 905 Screw for needle guide.
- 21 C 50 Spring for cloth retainer.
- 22 C 51 Hinge Pin for cloth retainer.
- 40-46 Washer for presser foot screw 18 C 86.
- 50 C 45 Presser Foot Bridge.
- 75 C 112-3 Edge Guide.
- 122 C 38 Chaining Finger.
- 137 C 49-6 Cloth Retainer.
- 405 C 488-1 Presser Foot Complete Assembly.

# PRESSER FOOT GROUP MODEL 300-14 R





PRESSER FOOT GROUP

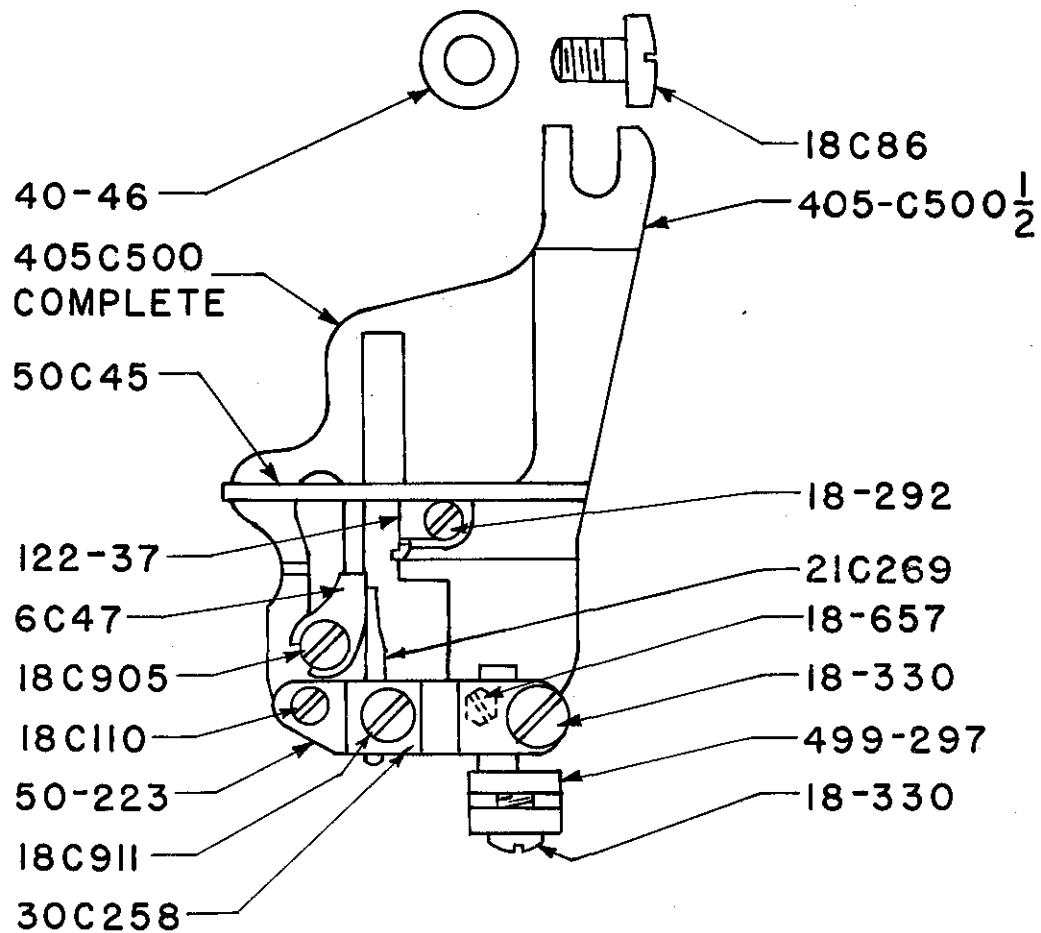
MODEL

300-14 R

PLATE 12

5 C 540 Presser Foot Only.  
6 C 47 Needle Guide.  
16 C 52 Bushing (Eccentric) for cloth retainer.  
18 C 86 Screw for attaching presser foot to head.  
18 C 94-2 Screw for clamping eccentric bushing 16 C 52.  
18-292 Screw for chaining finger.  
18 C 905 Screw for needle guide.  
18 C 911 Screw for presser foot.  
21 C 50 Spring for cloth retainer.  
22 C 51 Hinge Pin for cloth retainer.  
40-46 Washer for presser foot screw, 18 C 86.  
40 C 615 Washer for 110 C 305.  
50 C 45 Presser Foot Bridge.  
110 C 305 Plate for roll padding.  
122-35 Chaining Finger.  
137 C 49-1 Cloth Retainer.  
405 C 540 Presser Foot Complete Assembly.

# PRESSER FOOT GROUP MODEL 300-10



PRESSER FOOT GROUP

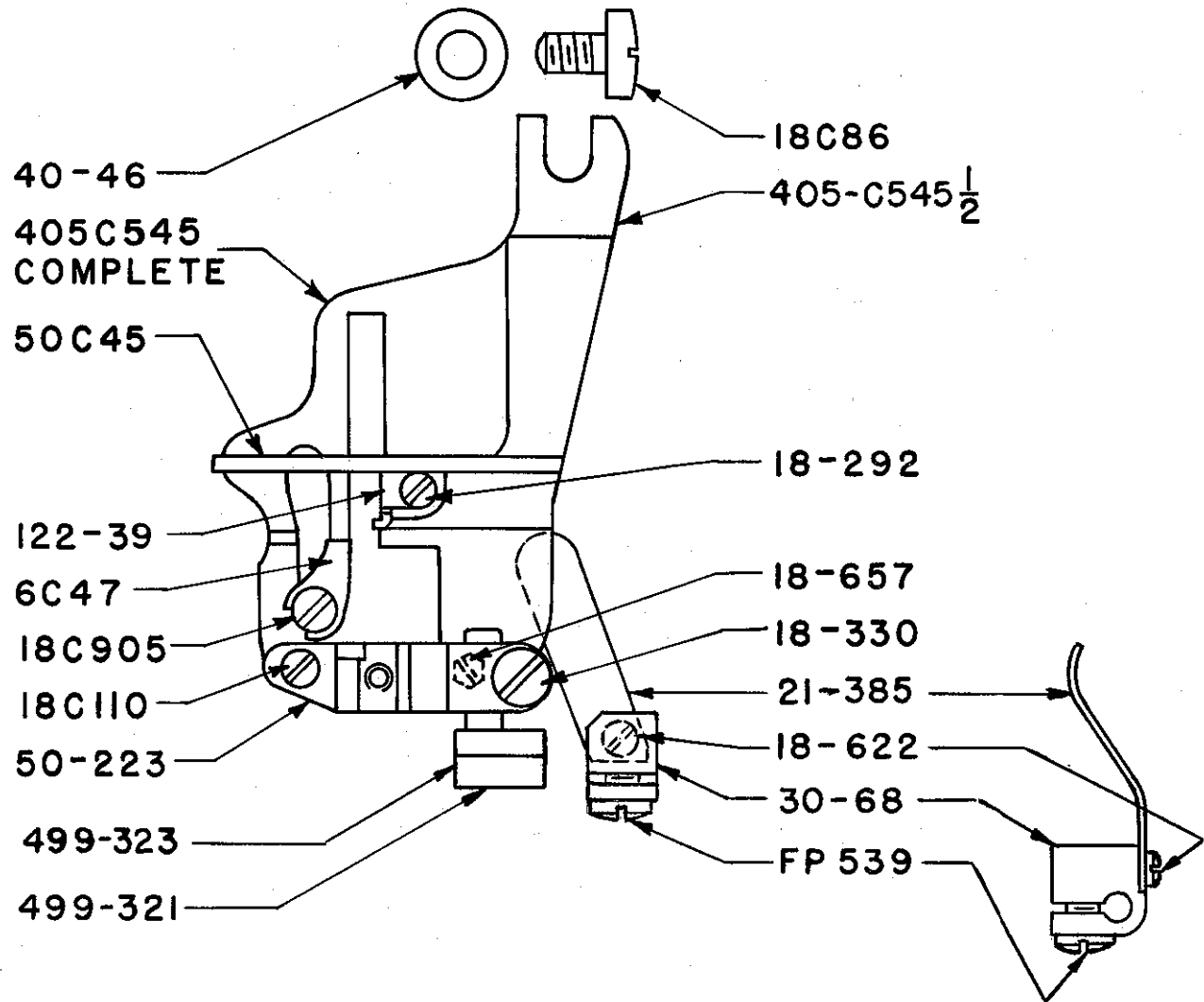
MODEL

300-10

PLATE 13

- 6 C 47 Needle Guide.
- 18 C 86 Screw for attaching presser foot to head.
- 18 C 110 Screw for attaching folder bracket to presser foot, left side.
- 18-292 Screw for chaining finger.
- 18-330 Screw in folder bracket for clamping 499-297.  
Screw for clamping folder.
- 18-657 Screw for attaching folder bracket to presser foot, right side.
- 18 C 905 Screw for needle guide.
- 18 C 911 Screw for spring cloth retainer clamp.
- 21 C 269 Hemmer Spring.
- 30 C 258 Clamp for spring cloth retainer.
- 40-46 Washer for presser foot screw, 18 C 86.
- 50 C 45 Presser Foot Bridge.
- 50-223 Folder Bracket.
- 122-37 Chaining Finger.
- ~~405-500~~  
~~405-500~~ Presser Foot, Complete Assembly.
- 405 C 500-1/2 Presser Foot with bridge only.
- 499-297 Folder Holder.

# PRESSER FOOT GROUP MODEL 300-15



PRESSER FOOT GROUP

MODEL

300-15

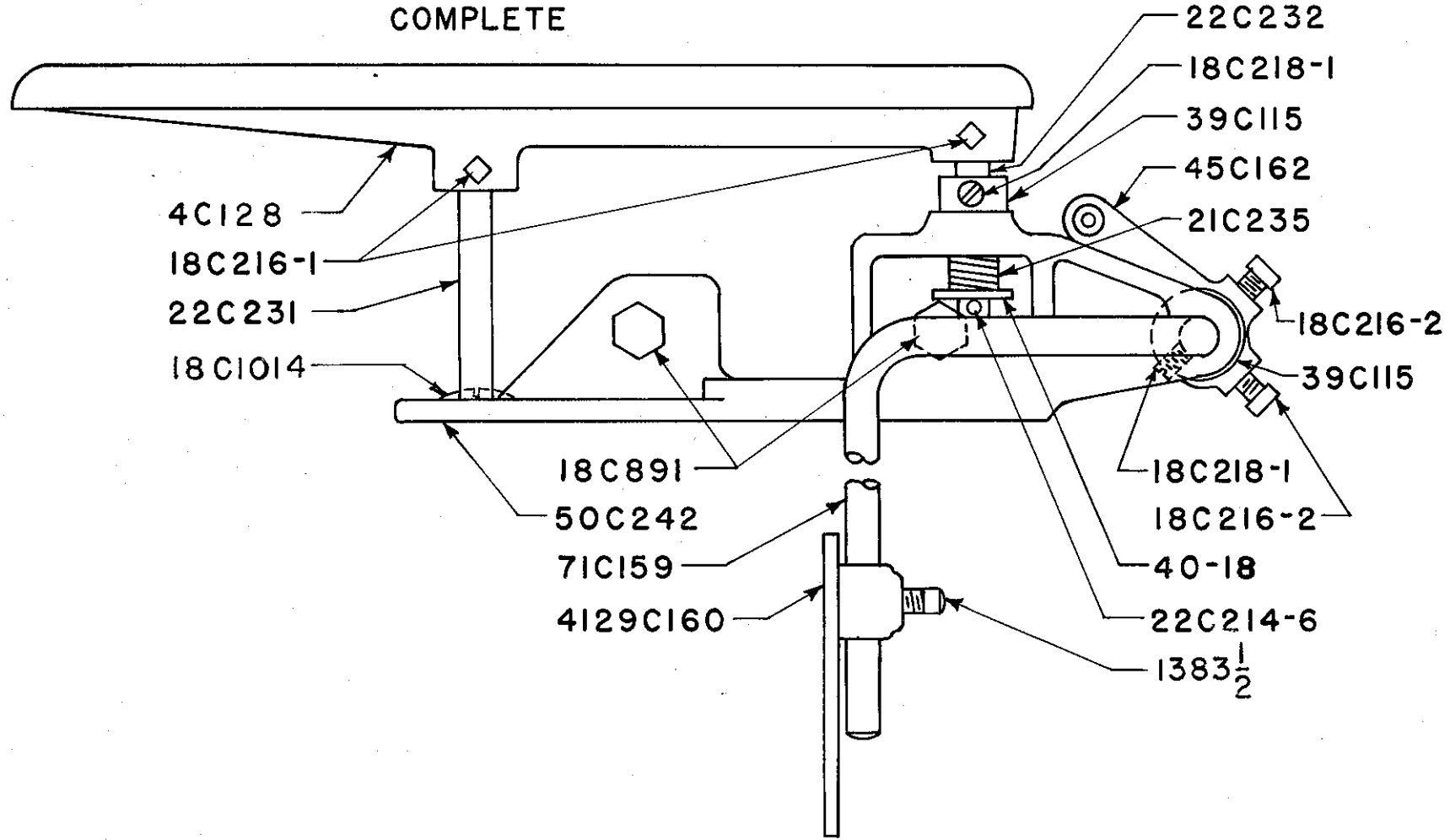
PLATE 14

- 6 C 47 Needle Guide.
- 18 C 86 Screw for attaching presser foot to head.
- 18 C 110 Screw for attaching folder bracket to presser foot, left side.
- 18-292 Screw for chaining finger.
- 18 330 Screw in folder bracket for clamping 499-321, 499-323.  
Screw for clamping folder.
- 18-622 Screw for spring 21-385.
- 18-657 Screw for attaching folder bracket to presser foot, right side.
- 18 C 905 Screw for needle guide.
- 21-385 Spring for folder.
- 30-68 Spring Clamp for folder.
- 40-46 Washer for presser foot screw, 18 C 86.
- 50 C 45 Presser Foot Bridge. (Component of 405 C 545-1/2.)
- 50-223 Folder Bracket.
- 122-39 Chaining Finger.
- 405 C 545 Presser Foot Complete Assembly.
- 405 C 545-1/2 Presser Foot with bridge only.
- 499-321 Folder Holder for 3/16", 1/4", 5/16" folders.
- 499-323 Folder Holder for 3/8" folder (only) ?
- FP539 Screw for clamping folder.

# COMBINATION WORK TABLE & KNEE LIFT GROUP

MODELS 300-5  
300-15  
300-20

404C559-2  
COMPLETE



WORK TABLE AND KNEE LIFT GROUP

PLATE 15

300-5

MODELS

300-15

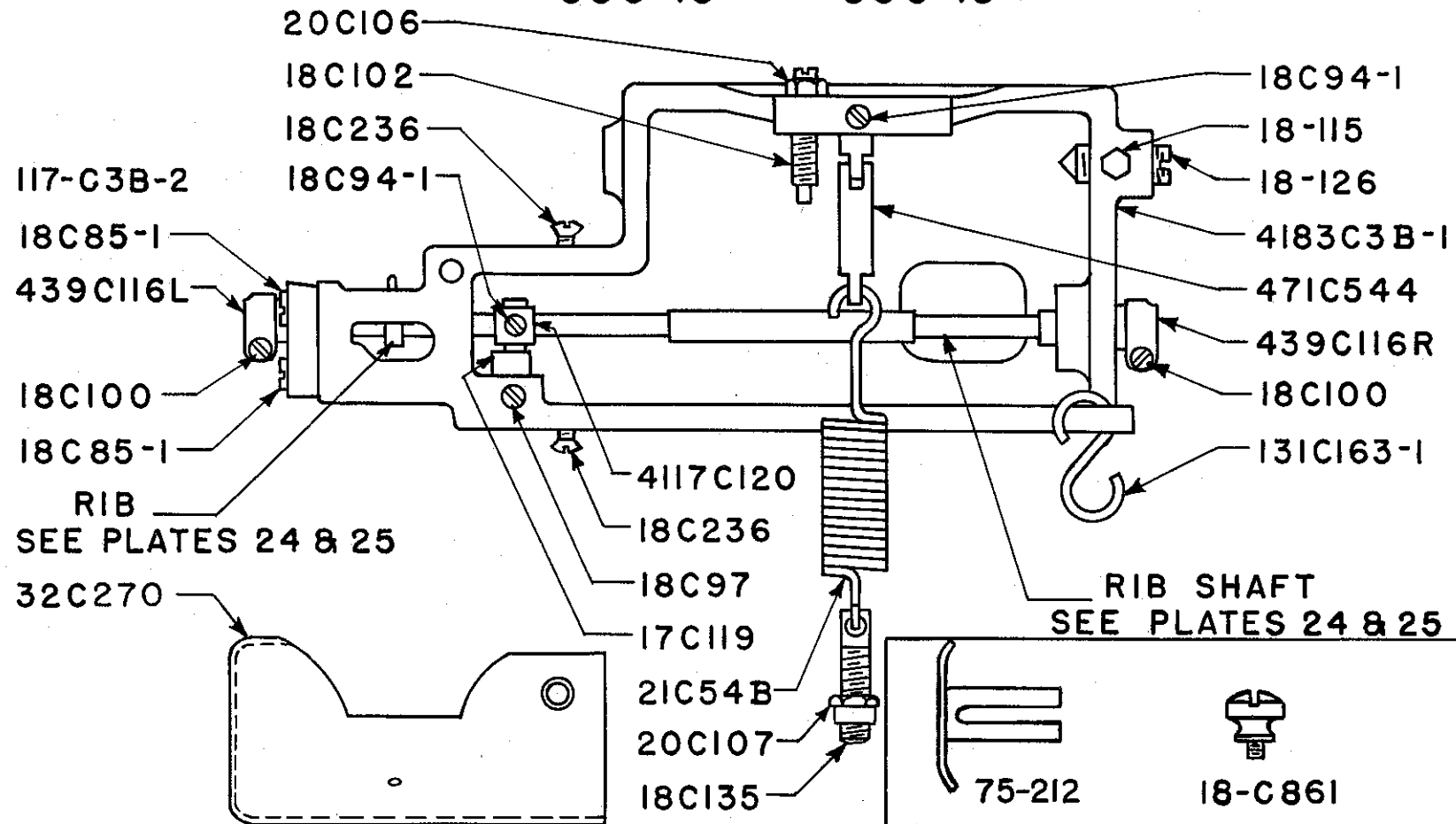
300-20

+ 4 C 128 ·	Work Table.	✓ 22 C 231	Work Table Rest Pin.
2) ✓ 18 C 216-1 ·	Set Screw for work table rest pin. Set Screw for work table hinge pin.	* 22 C 232 ·	Work Table Hinge Pin.
2) ✓ 18 C 216-2 ·	Set Screw for knee lift rod lever.	* ✓ 39 C 115 ·	Collar for knee lift rod. Collar for work table hinge pin.
* ✓ 18 C 218-1 ·	Set Screw for knee lift rod collar. Set Screw for work table hinge pin collar.	* 40-18 ·	Washer for work table hinge pin.
18 C 891	Screws for attaching work table bracket to machine.	✓ 45 C 162 ·	Knee Lift Rod Lever.
* 18 C 1014 ·	Stop Screw for rest pin.	* 50 C 242 ·	Work Table Bracket.
* 21 C 235 ·	Spring for work table hinge pin.	+ 71 C 159 ·	Knee Lift Rod.
* 22 C 214-6 ·	Pin for washer for work table hinge pin.	404 C 559-2	Work Table and Knee Lift Complete.
		✓ 4129 C 160 ·	Knee Press Pad.
		1383-1/2	Set Screw for knee press pad.

# WORK APRON GROUP

## FOR MODELS

- |        |          |
|--------|----------|
| 300-20 | 300-11   |
| 300-5  | 300-14 R |
| 300-10 | 300-15   |



FOR MODEL 300-11



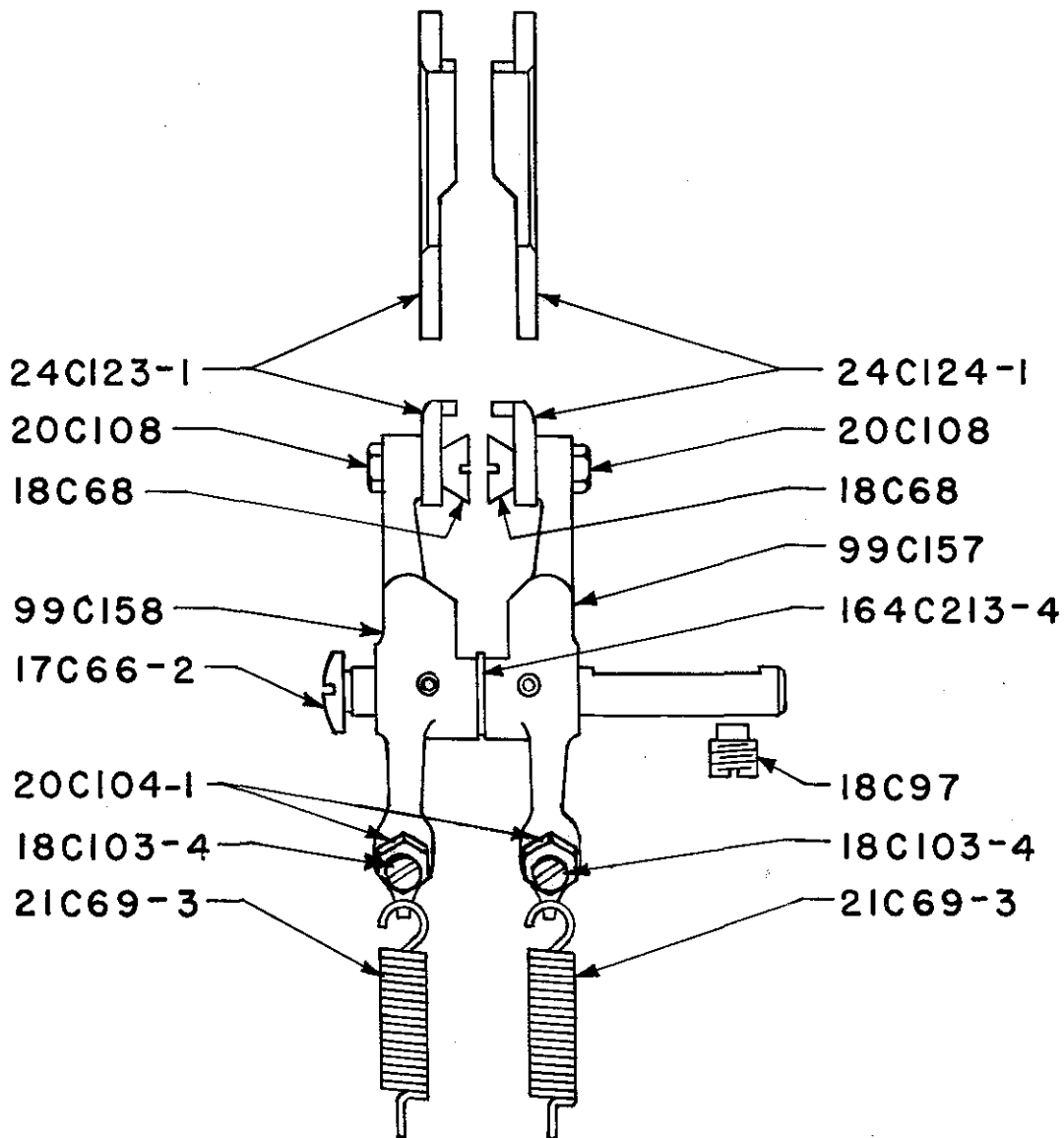
## WORK APRON GROUP

### MODELS

<u>PLATE 16</u>	300-5 300-10	300-11 300-14 R	300-15 300-20
17 C 119	Stud for rib shaft support.	20 C 106	Nut for adjustable stop screw for work apron.
18 C 85-1	Screws for work apron bearings.	20 C 107	Nut for work apron spring adjusting screw.
18 C 94-1	Screw for rib shaft support. Screw for work apron spring hinge joint.	21 C 54B	Work Apron Spring.
18 C 97	Screw for stud for rib shaft support.	32 C 270	End Cover for work apron.
18 C 100	Screw for clamping collar (left hand) for rib shaft. Screw for clamping collar (right hand) for rib shaft.	75-212	Edge Guide for trouser bottoms, Model 300-11.
18 C 102	Screw (Adjustable stop) for work apron.	117 C 3B-2	End Bearing.
18-115	Set Screw for work apron pivot screw, 18-126.	131 C 163-1	"S" Hook for knee lift.
18-126	Screw Pivot for work apron.	439 C 116R	Collar (right hand) for rib shaft.
18 C 135	Screw for adjusting work apron spring.	439 C 116L	Collar (left hand) for rib shaft.
18 C 236	Screws for work apron cover.	471 C 544	Work Apron Spring Hinge Joint.
18 C 861	Screw for 75-212	4117 C 120	Rib Shaft Support.
		4183 C 3B-1	Work Apron with bearings and bushings.

# FEED PLATTEN GROUP

MODELS 300-5  
300-II  
300-20



## FEED PLATTEN GROUP

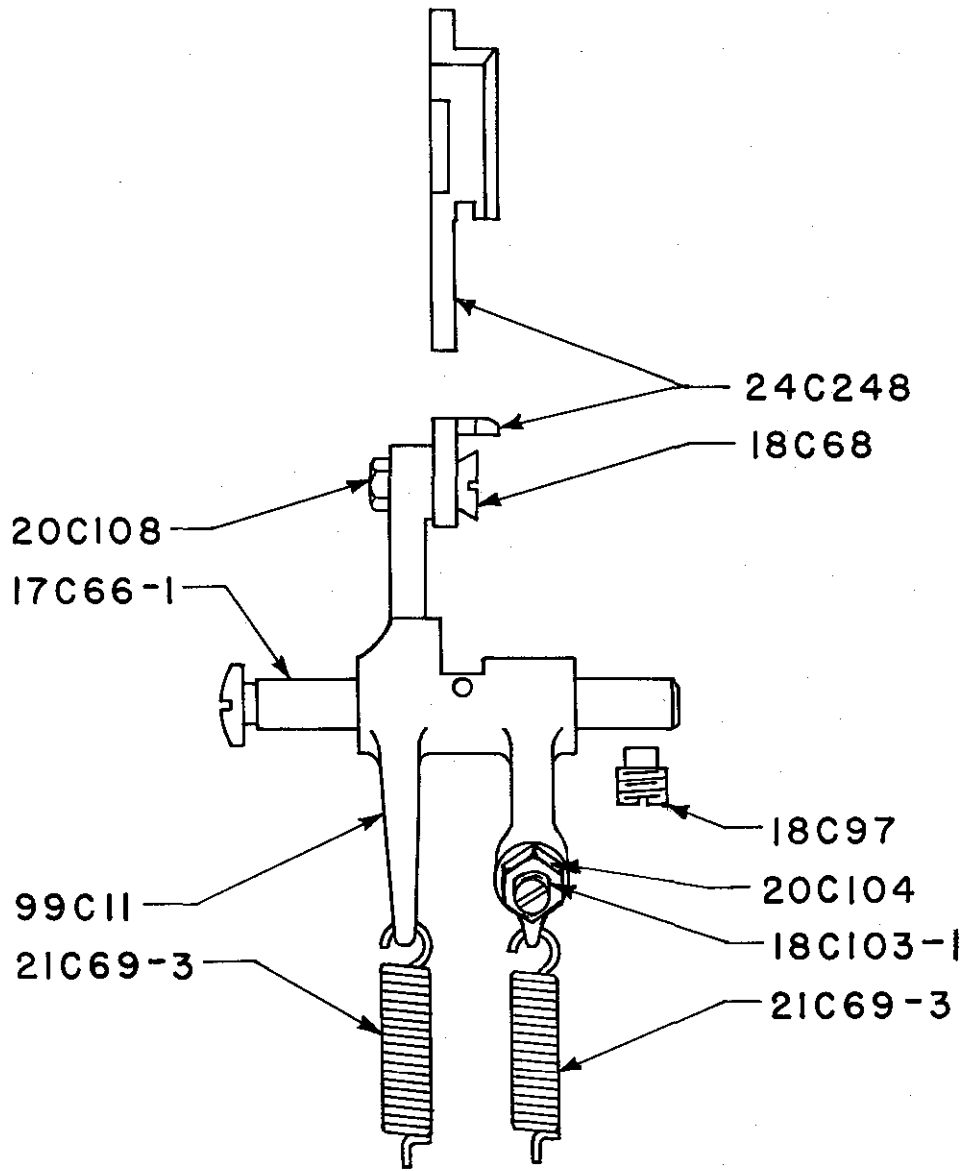
## MODELS

<u>PLATE 17</u>	300-5	300-11	300-20
17 C 66-2			Stud for feed platten carrier.
18 C 68			Screw for bearing for feed plattens.
18 C 97			Set Screw for feed platten carrier stud.
18 C 103-4			Screws for adjusting tension of spring #21 C 69-3.
20 C 104-1			Nut for locking feed platten carrier adjusting screws.
20 C 108			Nut for feed platten bearing screws.
21 C 69-3			Spring for feed platten carriers.
24 C 123-1			Feed Platten, left hand.
24 C 124-1			Feed Platten, right hand.
99 C 157			Feed Platten Carrier, right hand.
99 C 158			Feed Platten Carrier, left hand.
164 C 213-4			Feed Platten Carrier Spacing Shims.

Lindstrom  
memo filed  
2/26/60

# FEED PLATTEN GROUP

## MODEL 300-10



## FEED PLATTEN GROUP

MODEL

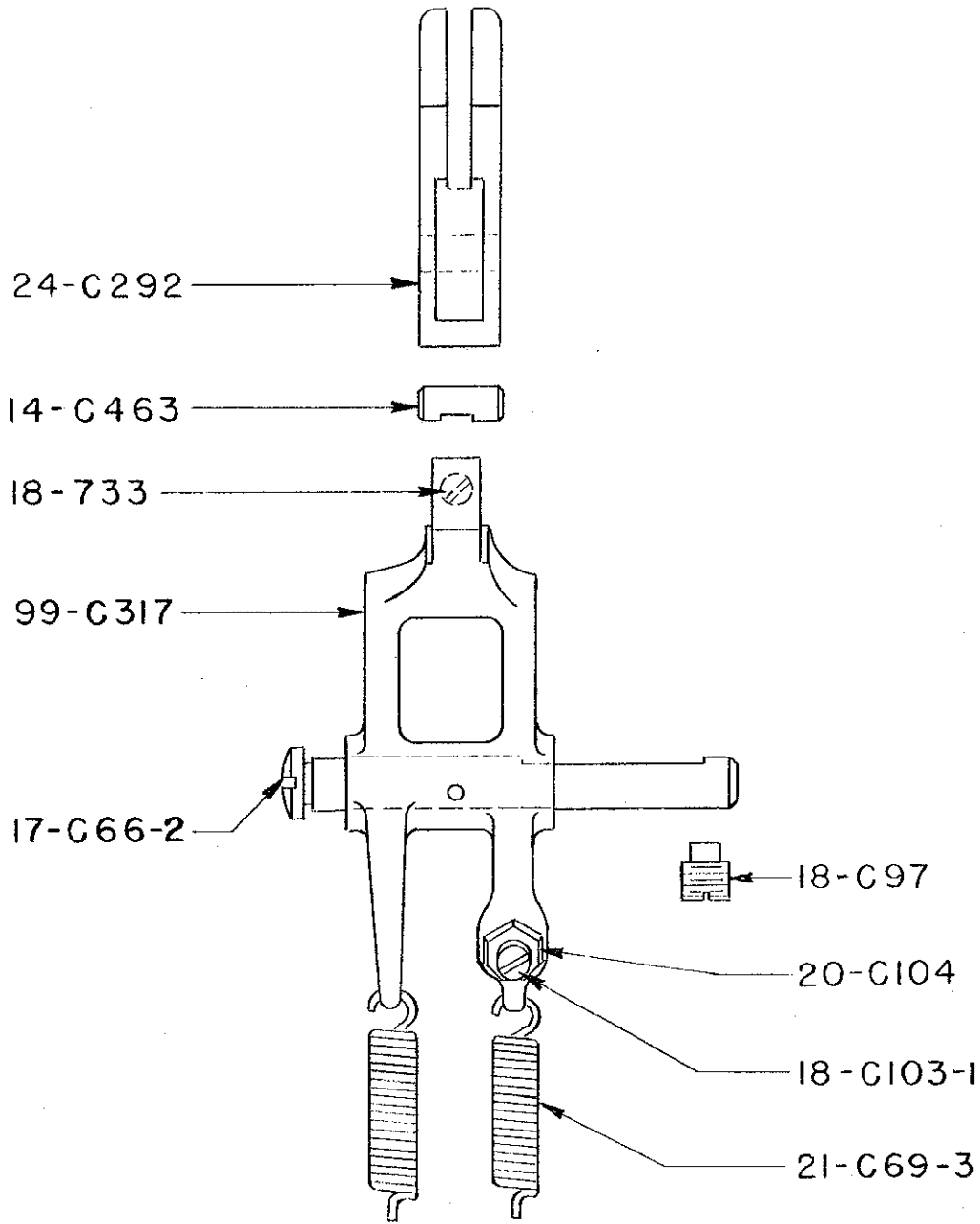
PLATE 18

300-10

17 C 66-1	Stud for feed platten carrier.
18 C 68	Screw Bearing for feed platten.
18 C 97	Set Screw for feed platten carrier stud.
18 C 103-1	Screw for adjusting tension of spring, #21 C 69-3.
20 C 104	Nut for locking feed platten carrier adjusting screw.
20 C 108	Nut for feed platten bearing screw.
21 C 69-3	Spring for feed platten carrier.
24 C 248	Feed Platten.
99 C 11	Feed Platten Carrier.

# FEED PLATTEN GROUP

## MODEL 300-14R



## FEED PLATTEN GROUP

MODEL

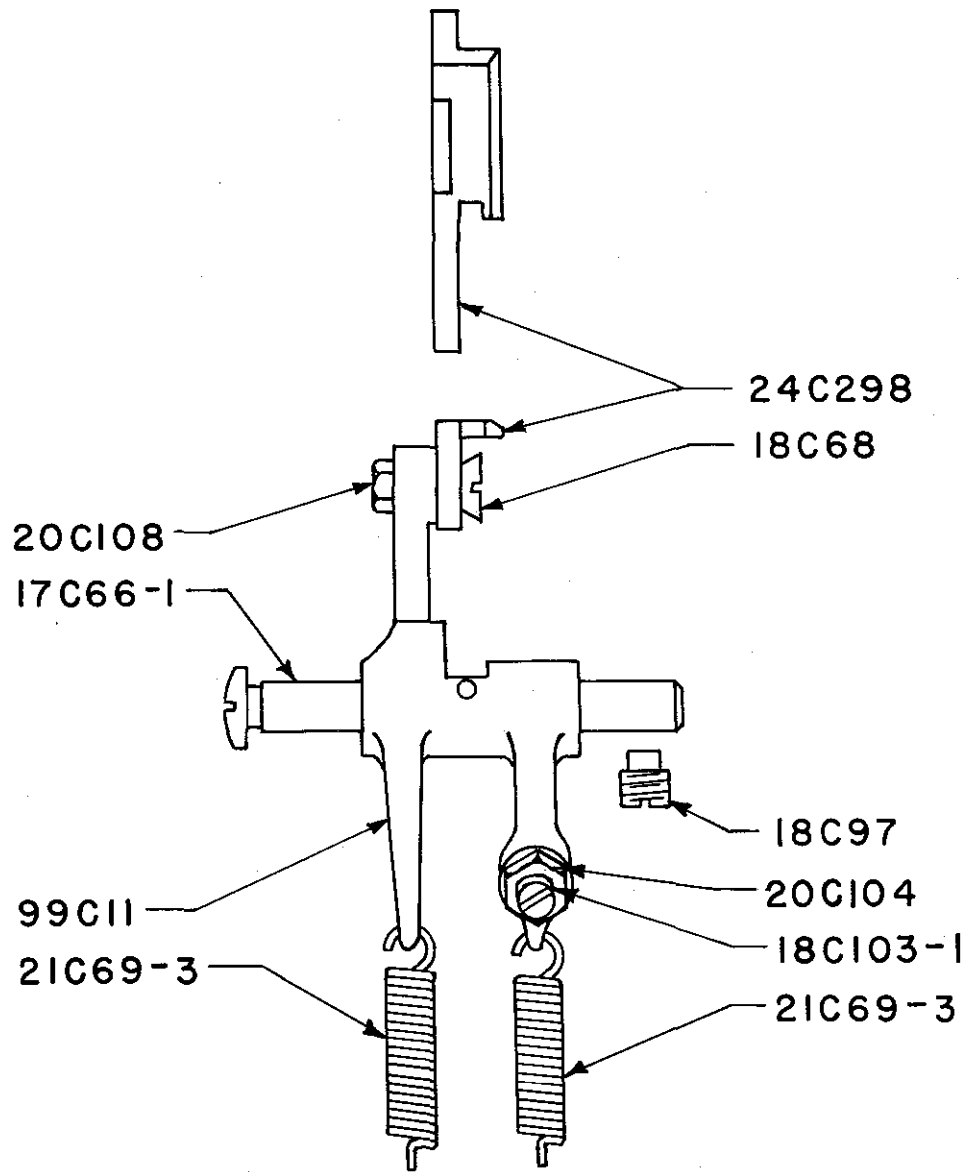
PLATE 19

300-14 R

14 C 463	Shaft for feed plate.
17 C 66-2	Stud for feed platten carrier.
18 C 97	Set Screw for feed platten carrier stud.
18 C 103-1	Screw for adjusting tension of spring 21 C 69-3.
18-733	Set Screw for 14 C 463.
20 C 104	Nut for locking 18 C 103-1.
21 C 69-3	Spring for feed platten carrier.
24 C 292	Feed Platten.
99 C 317	Feed Platten Carrier.

# FEED PLATTEN GROUP

## MODEL 300-15





## FEED PLATTEN GROUP

## MODEL

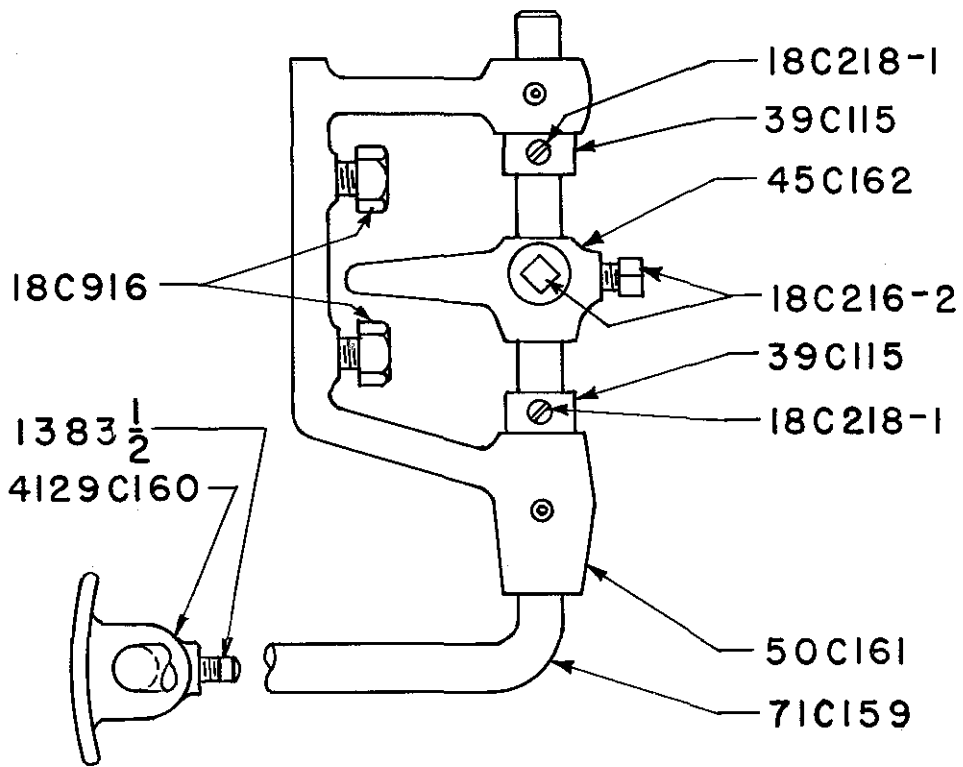
PLATE 20

300-15

17 C 66-1	Stud for feed platten carrier.
18 C 68	Screw Bearing for feed platten.
18 C 97	Set Screw for feed platten stud.
18 C 103-1	Screw for adjusting tension of spring, #21 C 69-3.
20 C 104	Nut for locking feed platten carrier adjusting screw.
20 C 108	Nut for feed platten bearing screw.
21 C 69-3	Spring for feed platten carrier.
24 C 298	Feed Platten.
99 C 11	Feed Platten Carrier.

# KNEE LIFT GROUP

MODELS 300-10  
300-11  
300-12  
300-14R



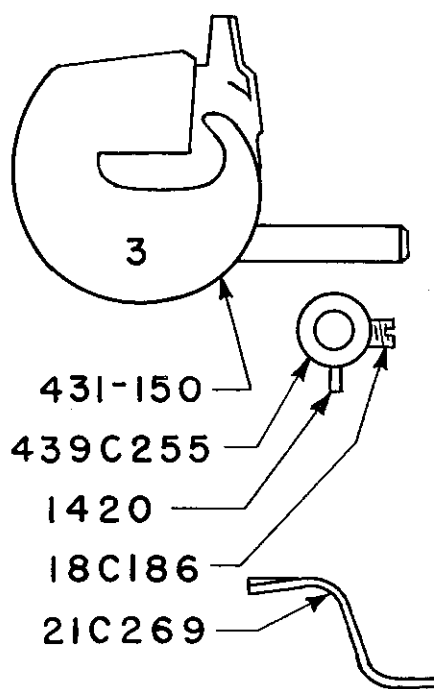
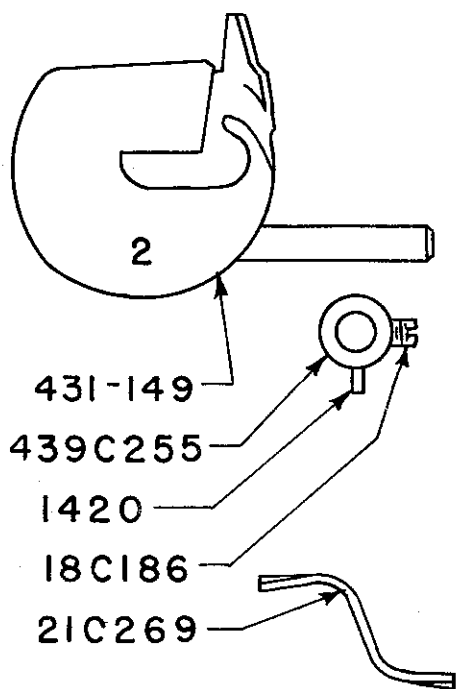
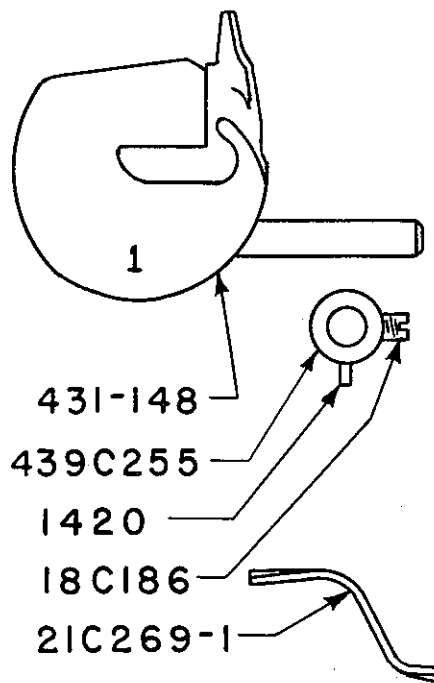
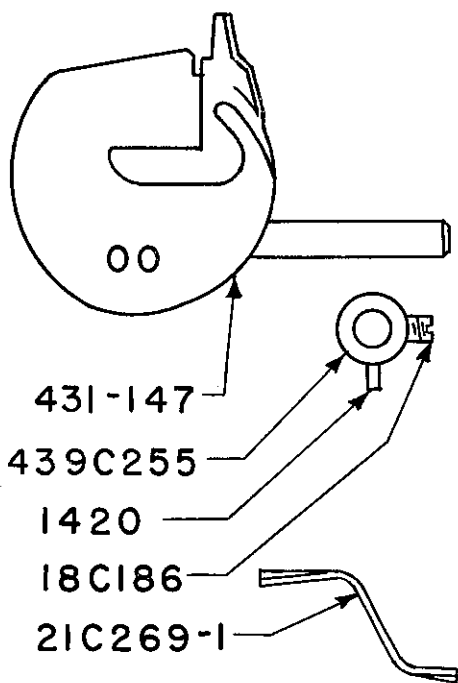
## KNEE LIFT GROUP

## MODELS

<u>PLATE 21</u>	300-10 300-11	300-12 300-14 R
18 C 216-2	Set Screw for knee lift rod lever.	
18 C 218-1	Set Screws for knee lift rod collars.	
18 C 916	Screws for knee lift bracket.	
39 C 115	Collars for knee lift rod.	
45 C 162	Knee Lift Rod Lever.	
50 C 161	Knee Lift Bracket.	
71 C 159	Knee Lift Rod.	
4129 C 160	Knee Press Pad.	
1383-1/2	Screw for knee press pad.	

# FOLDER GROUP

## MODEL 300-10



## FOLDER GROUP

## MODEL

PLATE 22

300-10

## ROLLED EDGE FOLDERS

18 C 186	Set Screws for folder collar.
21 C 269	Spring for No. 2, No. 3 and No. 4 folder.
21 C 269-1	Spring for No. 00 and No. 1 folder.
1420	Folder Collar Locating Pin.
431-147	Folder No. 00 for extra light material.
431-148	Folder No. 1 for light material.
431-149	Folder No. 2 for medium material.
431-150	Folder No. 3 for medium heavy material.
431-159	Folder No. 4 for extra heavy material. (Not illustrated)
439 C 255	Collar for folders, complete with pin 1420.

FOLDER GROUP  
MODEL 300-15

431-175  $\frac{3}{16}$  L

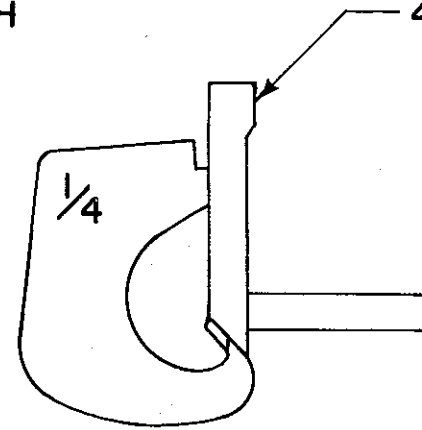
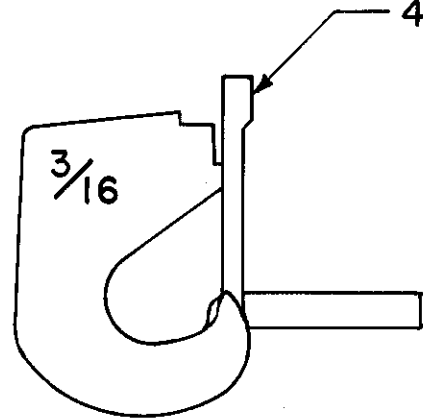
431-175  $\frac{1}{4}$  L

431-175  $\frac{3}{16}$  M

431-175  $\frac{1}{4}$  M

431-175  $\frac{3}{16}$  H

431-175  $\frac{1}{4}$  H



NOTE: FOLDERS ALSO AVAILABLE FOR  
 $\frac{5}{16}$ " AND  $\frac{3}{8}$ " SEAMS.

FOLDER GROUP

MODEL

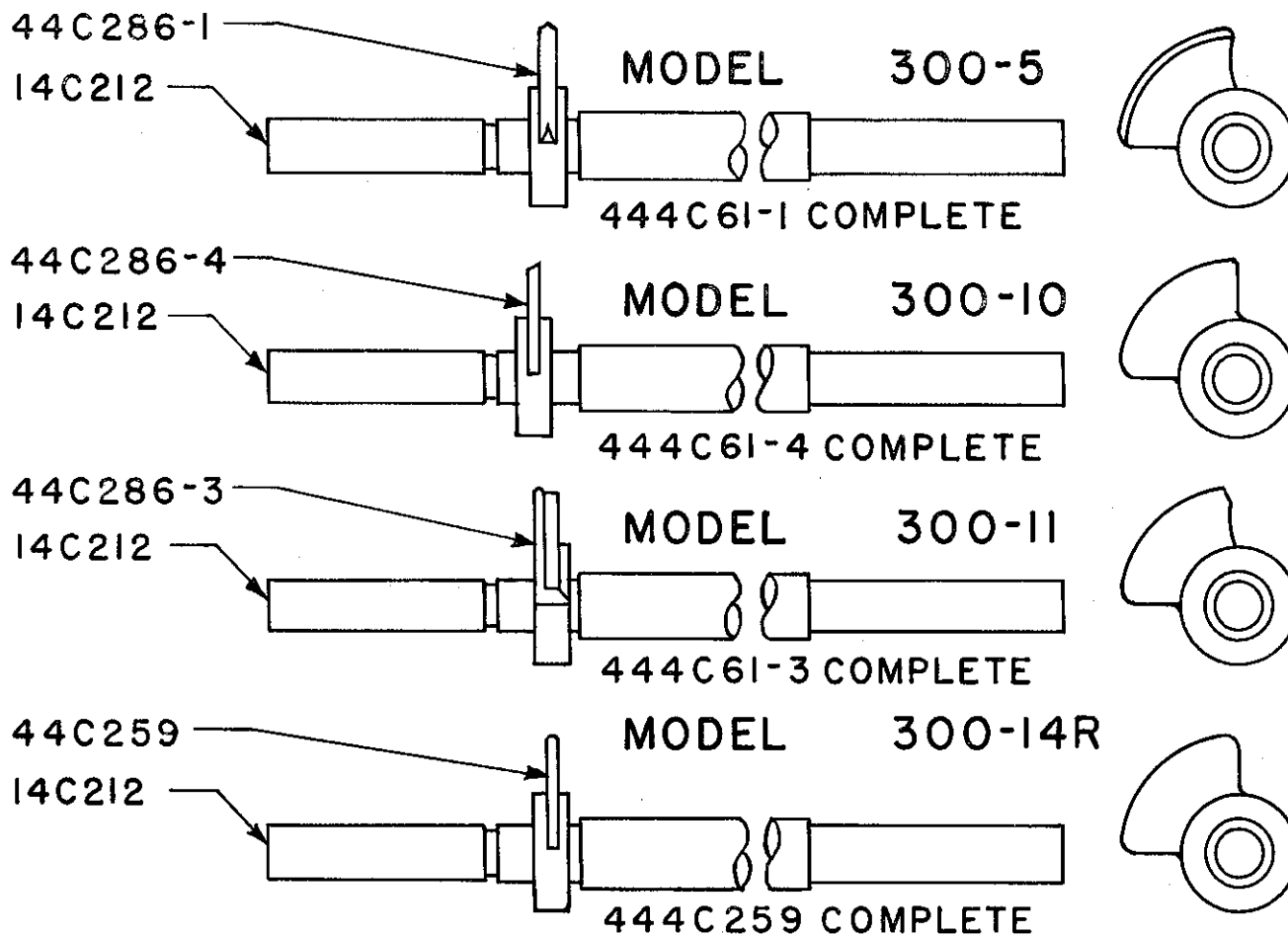
300-15

PLATE 23

BOOK SEAM FOLDERS

- 431-175-3/16 L Folder for light material, 3/16 inch inturn.
- 431-175-3/16 M Folder for medium material, 3/16 inch inturn.
- 431-175-3/16 H Folder for heavy material, 3/16 inch inturn.
- 431-175-1/4 L Folder for light material, 1/4 inch inturn.
- 431-175-1/4 M Folder for medium material, 1/4 inch inturn.
- 431-175-1/4 H Folder for heavy material, 1/4 inch inturn.
- 431-175-5/16 L Folder for light material, 5/16 inch inturn.
- 431-175-5/16 M Folder for medium material, 5/16 inch inturn.
- 431-175-5/16 H Folder for heavy material, 5/16 inch inturn.
- 431-175-3/8 L Folder for light material, 3/8 inch inturn.
- 431-175-3/8 M Folder for medium material, 3/8 inch inturn.
- 431-175-3/8 H Folder for heavy material, 3/8 inch inturn.

# RIB SHAFT GROUP





RIB SHAFT GROUP

MODELS

PLATE 24

300-5  
300-10

300-11  
300-14 R

MODEL 300-5

14 C 212 Rib Shaft.  
44 C 286-1 Rib.  
444 C 61-1 Rib Shaft with rib.

MODEL 300-10

14 C 212 Rib Shaft.  
44 C 286-4 Rib.  
444 C 61-4 Rib Shaft with rib.

MODEL 300-11

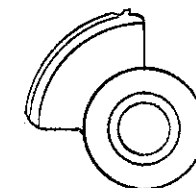
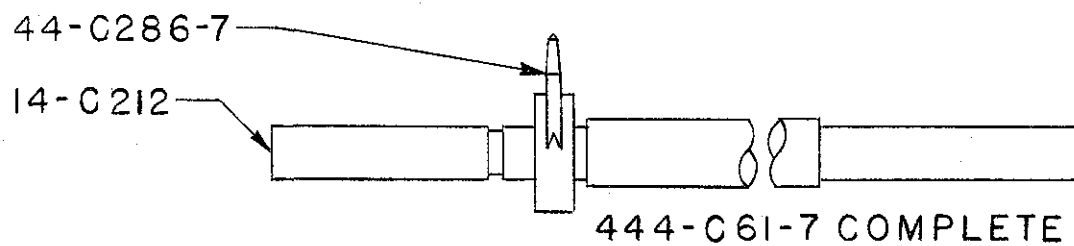
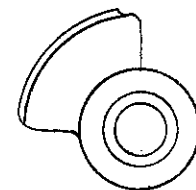
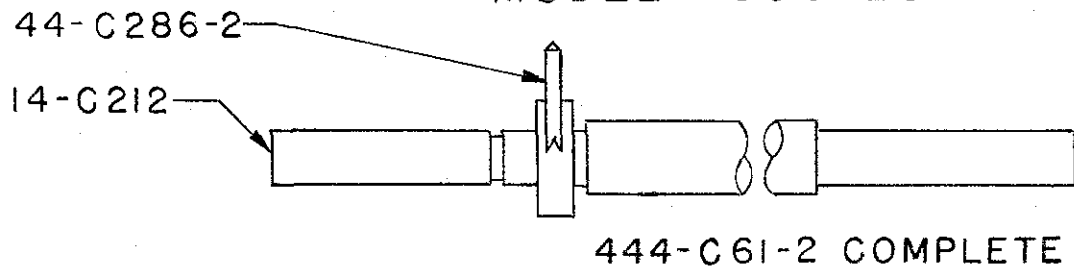
14 C 212 Rib Shaft.  
44 C 286-3 Rib.  
444 C 61-3 Rib Shaft with rib

MODEL 300-14 R

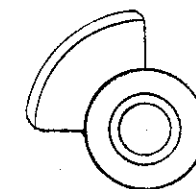
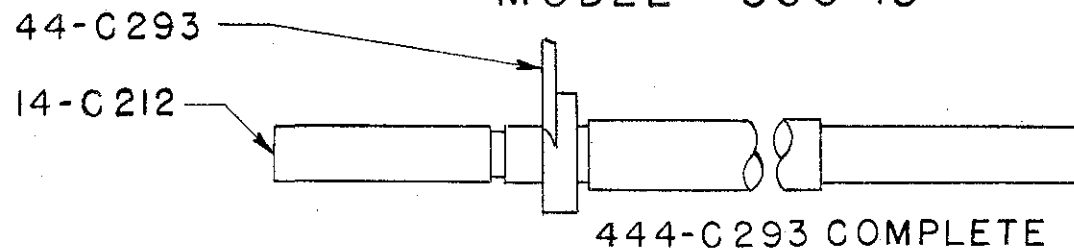
14 C 212 Rib Shaft.  
44 C 259 Rib.  
444 C 259 Rib Shaft with rib.

# RIB SHAFT GROUP

## MODEL 300-20



## MODEL 300-15



RIB SHAFT GROUP

MODELS

PLATE 25

300-15

300-20

MODEL 300-15

14 C 212 Rib Shaft.  
44 C 293 Rib.  
444 C 293 Rib Shaft with rib.

MODEL 300-20

14 C 212 Rib Shaft.  
44 C 286-2 Rib.  
444 C 61-2 Rib Shaft with rib.  
  
14 C 212 Rib Shaft.  
44 C 286-7 Rib.  
444 C 61-7 Rib Shaft with rib.

# FEED POINT GROUP

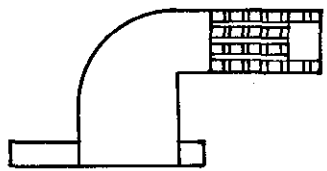
MODELS  
300-5  
300-11  
300-12  
300-14R  
300-20

MODEL  
300-20

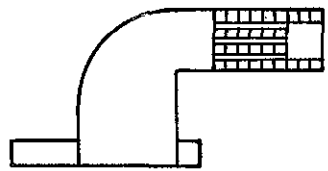
MODEL  
300-10

MODEL  
300-15

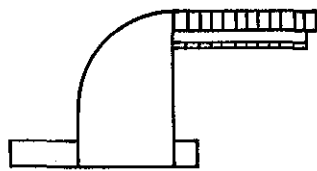
MODEL  
300-10



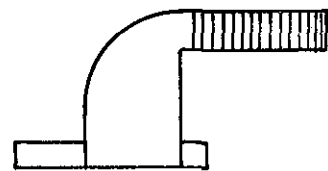
23C43-1



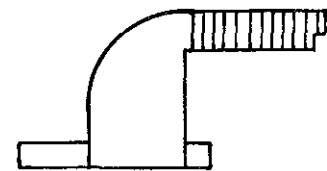
23C43-2



23C281



23C314



23C293

FEEED POINTS

MODELS

PLATE 26

300-5  
300-10

300-11  
300-12

300-14 R  
300-20

MODELS 300-5, 300-11, 300-12 and 300-14 R

23 C 43-1      Feed Point, coarse.

MODEL 300-10

23 C 281      Feed Point used for fine rolled edge.

23 C 293      Feed Point - regular.

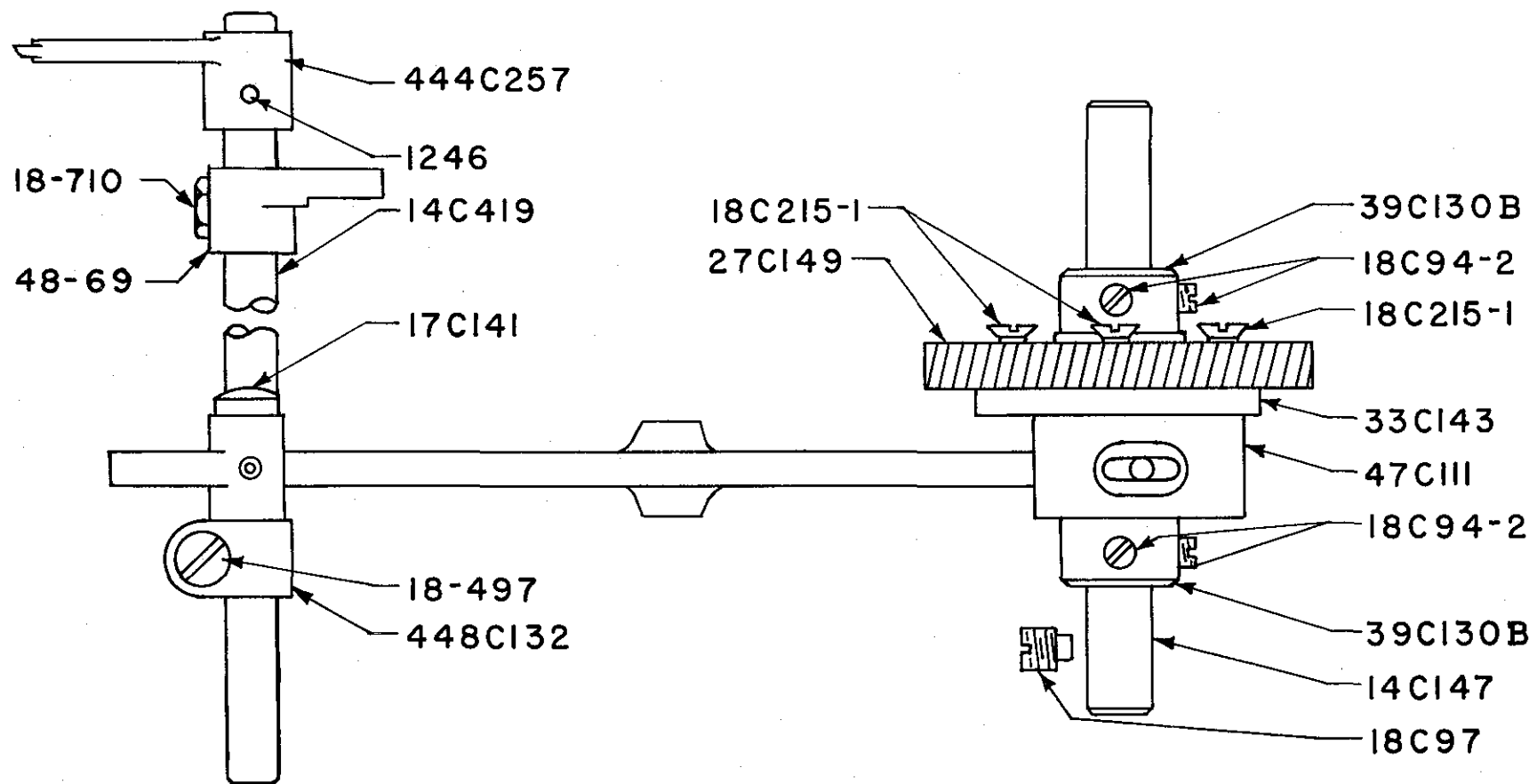
MODEL 300-15

23 C 314      Feed Point.

MODEL 300-20

23 C 43-2      Feed Point, fine.

# RIGHT HAND RIB DRIVE GROUP MODEL 300-12



RIGHT HAND DRIVE RIB GROUP

MODEL

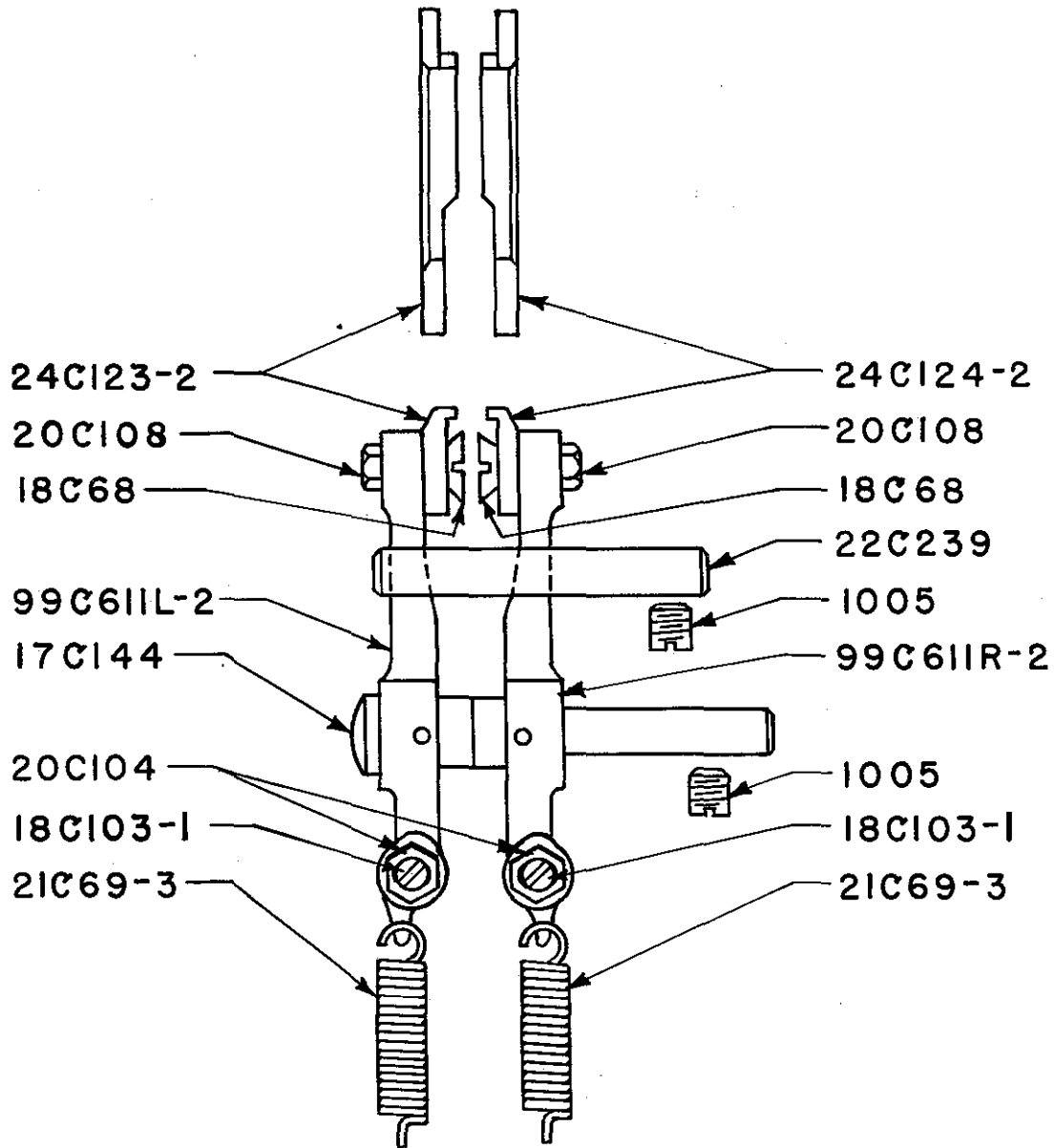
300-12

PLATE 27

- |            |   |
|------------|---|
| 14 C 147   | Shaft for driven gear.  |
| 14 C 419   | Shaft for right hand rib.                                     |
| 17 C 141   | Stud for connecting rod, 47 C 111.                            |
| 18 C 97    | Set Screw for driven gear shaft.                              |
| 18 C 94-2  | Set Screw for collar, 30 C 130B, for driven gear.             |
| 18 C 215-1 | Screws for eccentric to driven gear.                          |
| 18 497     | Screw for clamping crank, 448 C 132 for right hand rib shaft. |
| 18-710     | Screw for clamping crank, 48-69 for driving left hand rib.    |
| 27 C 149   | Gear (driven) for ribs.                                       |
| 33 C 143   | Eccentric for oscillating ribs.                               |
| 39 C 130B  | Collar for driven gear, 27 C 149.                             |
| 47 C 111   | Connecting Rod for oscillating ribs.                          |
| 48-69      | Crank on right hand rib for driving left hand rib.            |
| 1246       | Pin for right hand rib.                                       |
| 444 C 257  | Right Hand Rib Complete with rib shaft and pin 1246.          |
| 448 C 132  | Crank for right hand rib shaft.                               |

# FEED PLATTEN GROUP

## MODEL 300-12





## FEED PLATTEN GROUP

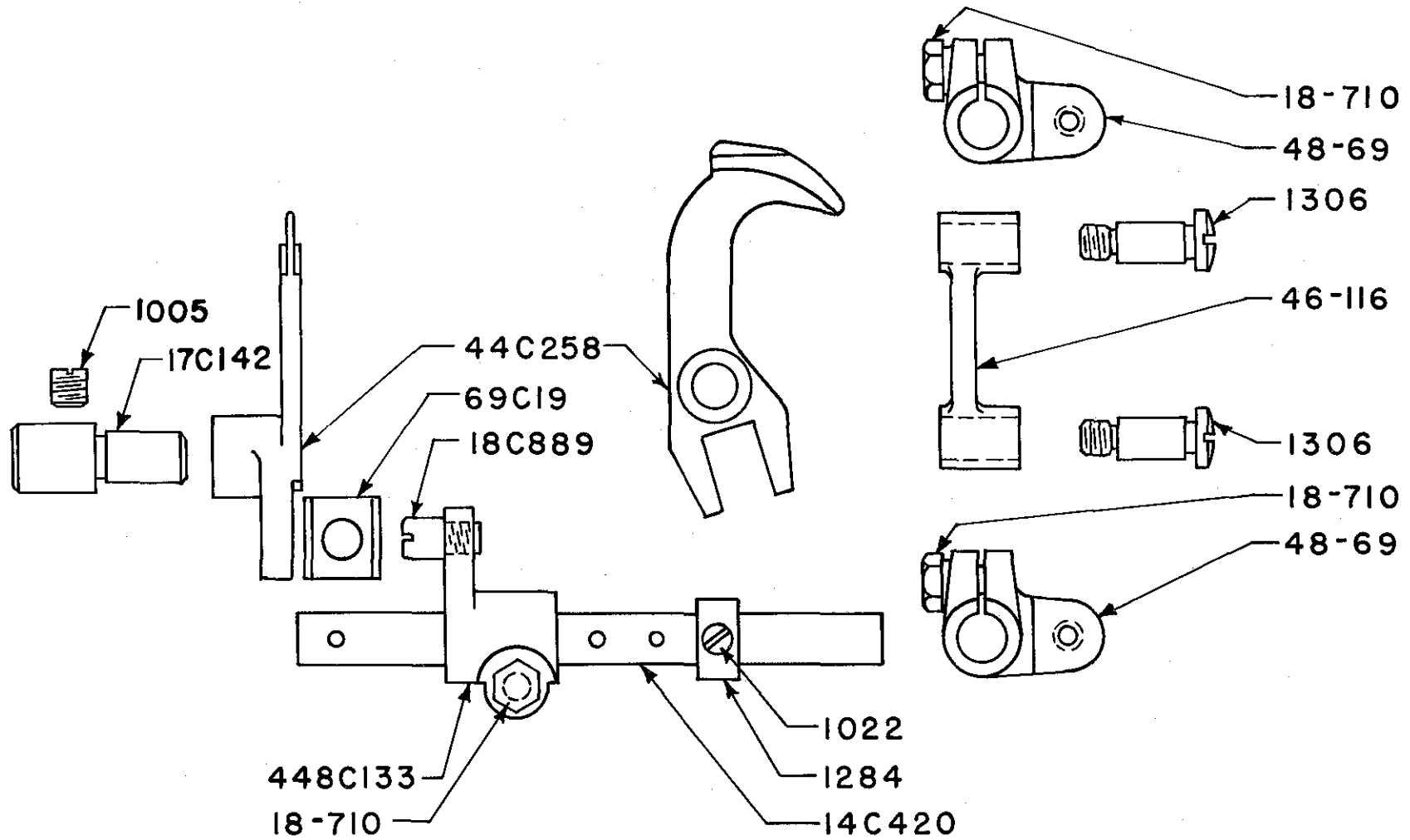
## MODEL

PLATE 28

300-12

- |             |  |
|-------------|--|
| 17 C 144    | Stud for feed platten carriers.  |
| 18 C 68     | Screw Bearing for feed plattens.   |
| 18 C 103-1  | Screws for adjusting tension of springs, #21 C 69-3.                             |
| 20 C 104    | Nut for locking carrier adjusting screws, #18 C 103-1.                           |
| 20 C 108    | Nut for Screw bearings for feed plattens.  |
| 21 C 69-3   | Springs for feed platten carriers.   |
| 22 C 239    | Pin Stop in work apron for feed platten carriers.                                |
| 24 C 123-2  | Feed Platten, left hand.   |
| 24 C 124-2  | Feed Platten, right hand.  |
| 1005        | Set Screw for pin stop for carriers.<br>Set Screw for feed platten carrier stud. |
| 99 C 611L-2 | Feed Platten Carrier, left hand.   |
| 99 C 611R-2 | Feed Platten Carrier, right hand.  |

# LEFT RIB DRIVE GROUP MODEL 300-12



LEFT HAND RIB GROUP

MODEL

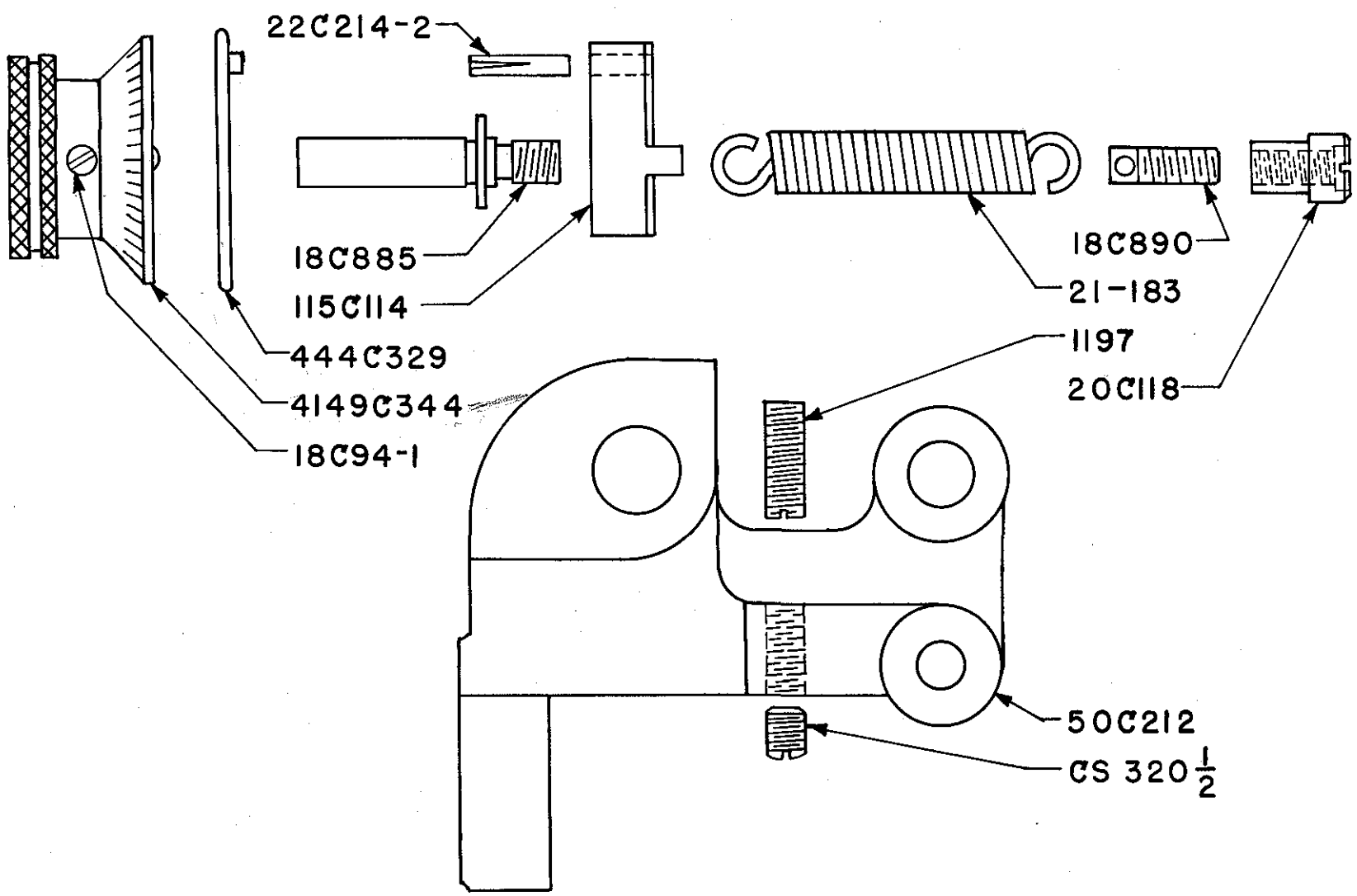
300-12

PLATE 29

14 C 420	Jack Shaft for oscillating left hand rib.
17 C 142	Stud for left hand rib.
18-710	Screw for clamping crank, 448 C 133. Screw for clamping crank, 48-69, for oscillating left hand rib.
18 C 889	Screw for slide block for left hand rib.
44 C 258	Rib Left Hand.
46-116	Link for oscillating left hand rib.
48-69	Crank on Jack shaft for left hand rib. Crank on right hand rib shaft, see Plate No. 27.
69 C 19	Slide Block for left hand rib.
1005	Set Screw for left hand rib stud.
1022	Set Screw for collar, 1284 on Jack shaft.
1284	Collar on left hand rib Jack shaft.
1306	Screws, Bearing, for link 46-116 to oscillate left hand rib.
448-133	Crank with screw for oscillating left hand rib.

# LEFT RIB ADJUSTING GROUP

## MODEL 300-12



LEFT RIB ADJUSTING GROUP

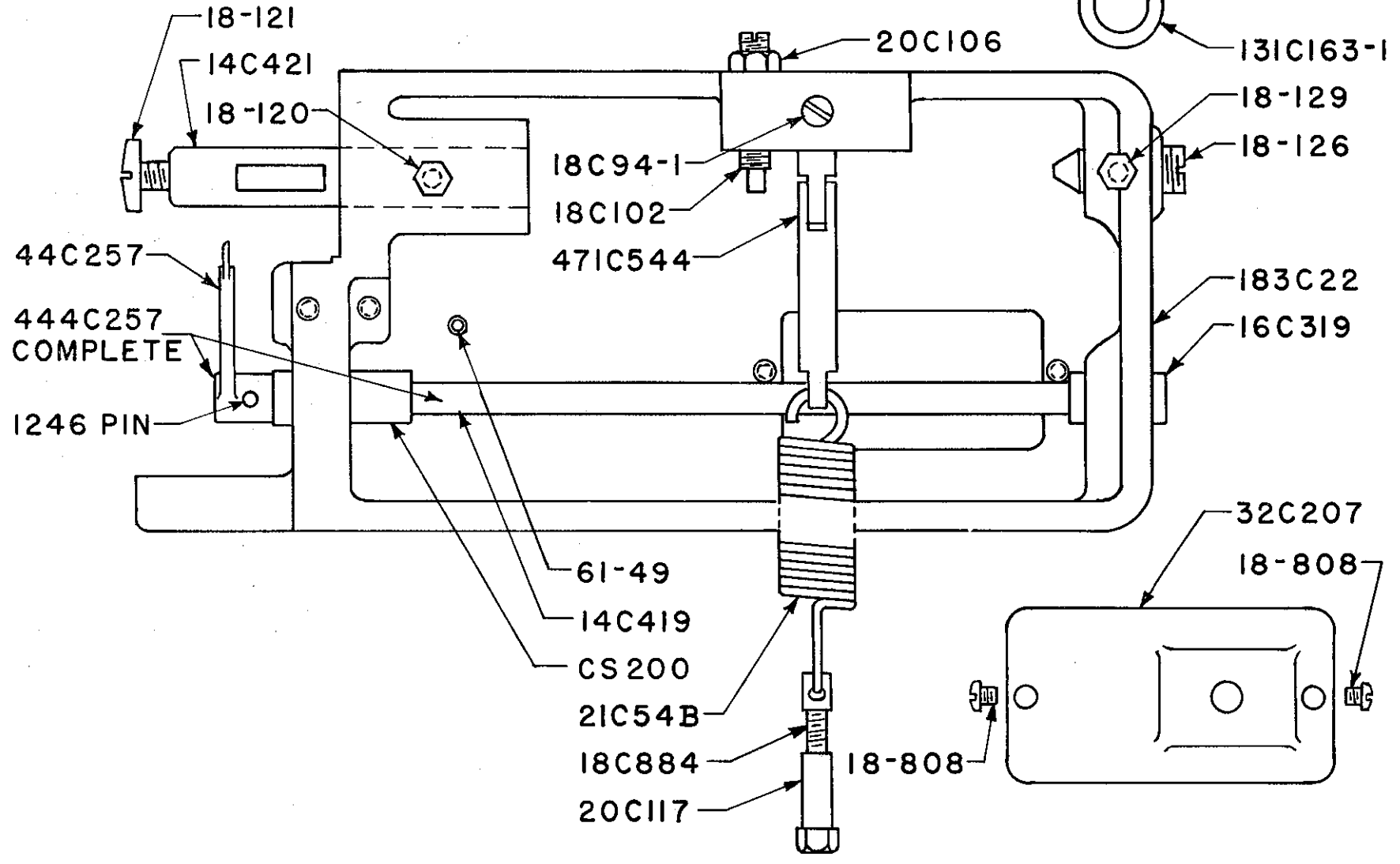
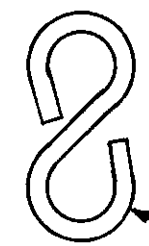
MODEL

PLATE 30

300-12

18 C 94-1	Set Screw for left hand rib dial knob.
18 C 885	Screw for adjusting left hand rib.
18 C 890	Screw for adjusting tension of spring for left hand rib bracket.
20 C 118	Nut for adjusting screw, 18 C 890 for left hand rib bracket.
21-183	Spring for left hand rib bracket.
22 C 214-2	Pin for guiding left hand rib adjustment block.
50 C 212	Left Hand Rib Bracket.
115 C 114	Left Hand Rib Adjustment Block.
444 C 329	Left Hand Rib Adjustment Disc with pin.
4149 C 344	Left Hand Rib Dial Adjusting Knob.
CS 320-1/2	Screw for locking stop screw for left hand rib bracket.
1197	Stop Screw for left hand rib bracket.

# APRON GROUP MODEL 300-12



WORK APRON GROUP

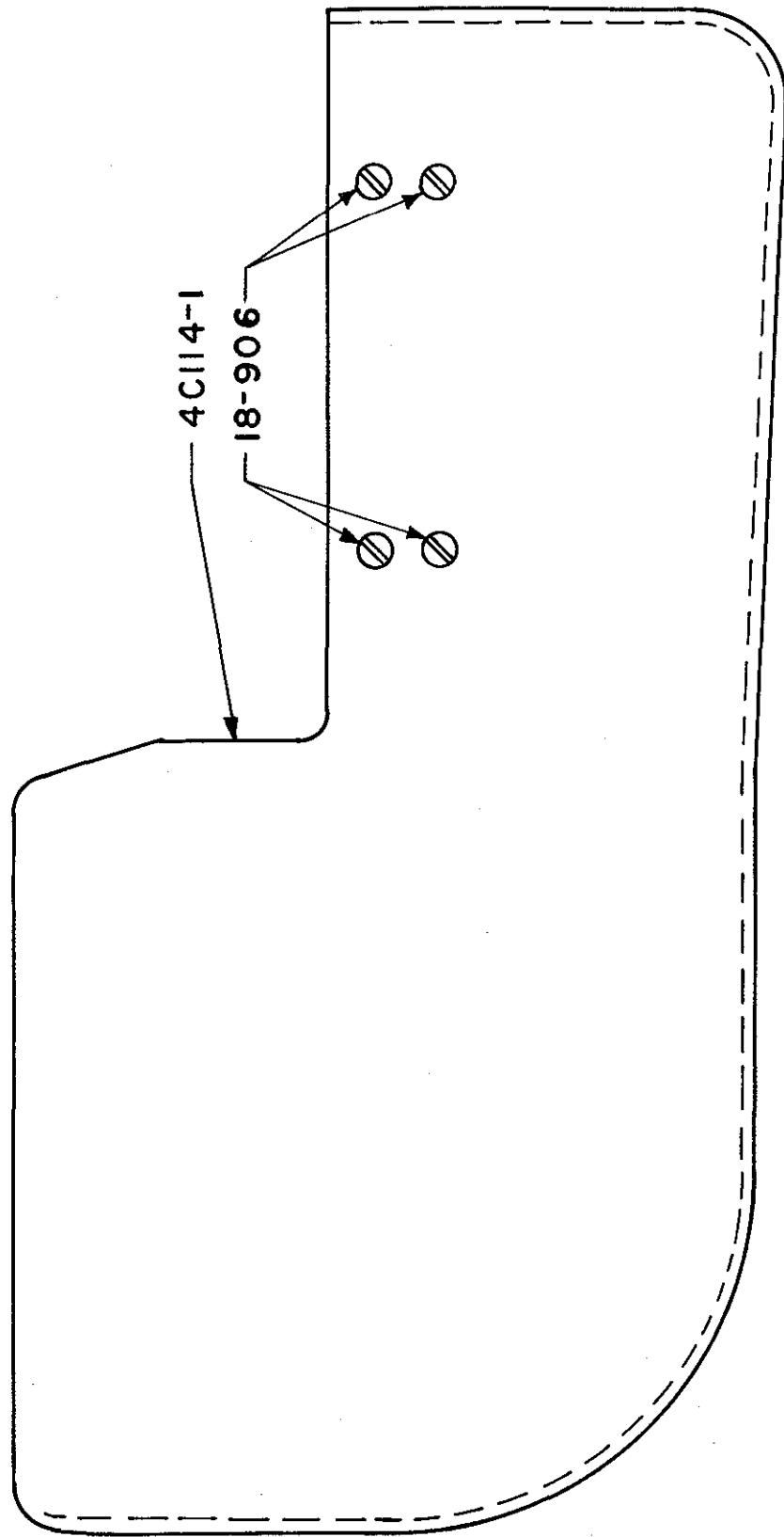
MODEL

300-12

PLATE 31

14 C 419	Shaft for right hand rib.	20 C 106	Nut for adjustable stop screw for work apron.
14 C 421	Shaft in apron for left hand rib bracket.	20 C 117	Nut for work apron spring adjusting screw.
16 C 319	Bushing for rib shaft, right hand end.	21 C 54B	Work Apron Spring.
18 C 94-1	Set Screw for work apron spring hinge joint.	32 C 207	Cover for work apron.
18 C 102	Screw (adjustable stop) for work apron.	44 C 257	Right Hand Rib.
18-120	Set Screw for left hand rib bracket shaft.	61-49	Oil Tube for connecting link.
18-121	Screw in end of left hand rib bracket shaft.	131 C 163-1	"S" Hook for knee lifter.
18-126	Screw Pivot for work apron.	183 C 22	Work Apron.
18-129	Set Screw for work apron pivot screw.	CS 200	Bushing for rib shaft left hand end.
18-808	Screws for work apron cover, 32 C 207.	1246	Pin for right hand rib.
18 C 884	Screw for adjusting work apron spring.	444 C 257	Right Hand Rib complete with rib shaft and pin, 1246.
		471 C 544	Work Apron Spring Hinge Joint.

WORK SUPPORT PLATE GROUP  
MODEL 300-12





WORK SUPPORT GROUP

MODEL

300-12

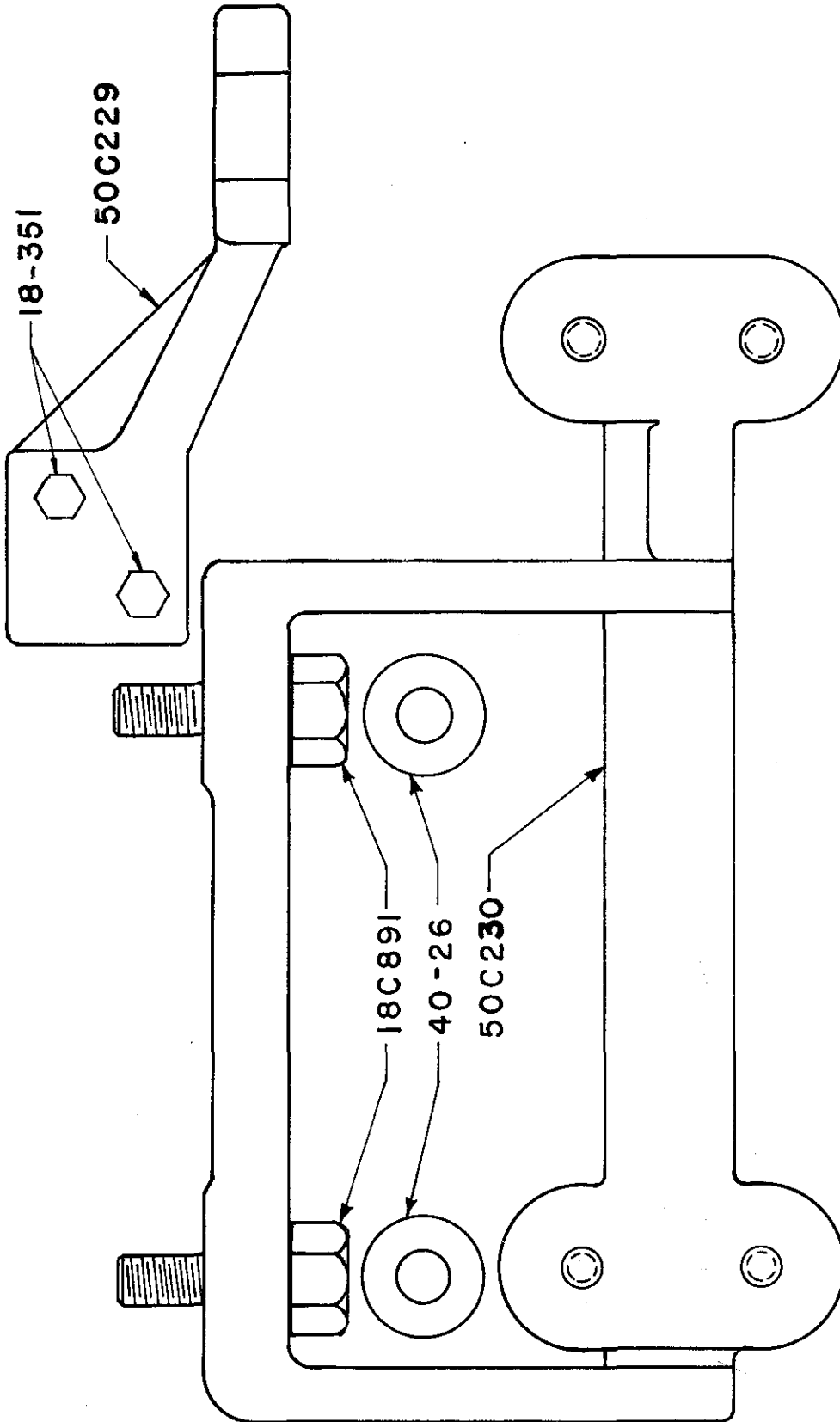
PLATE 32

4 C 114-1 Work Support Plate.

18-906 Screws for attaching work support plate.

BRACKET FOR WORK SUPPORT PLATE

MODEL 300-12



WORK SUPPORT BRACKET GROUP

MODEL

300-12

PLATE 33

- |          |  |
|----------|--|
| 18-351   | Screws for 50 C 229.   |
| 18 C 891 | Screws for attaching work support bracket to machine.        |
| 40-26    | Washers for work support bracket attaching screws, 18 C 891. |
| 50 C 229 | Support Bracket for left hand rib mechanism.                 |
| 50 C 230 | Bracket for work support plate.                              |



## NUMERICAL INDEX

PLATES ARE FROM PAGE 36 TO PAGE 103

PART NO.	PLATE NOS.	PART NO.	PLATE NOS.
4 C 114-1	32	18 C 94-2	7-9-10-11-12 and 27
4 C 128	15	18 C 97	1-2-3-4-7-16 17-18-19-20 and 27
5 C 486	9	18 C 98	1-2-3
5 C 488	10-11	18 C 99	5
5 C 540	12	18 C 100	A-1-2-3-5-16
6 C 47	9-10-11-12-13 and 14	18 C 102	16-31
8 C 72	A	18 C 103-1	18-19-20 and 28
14 C 23B-1	1-2-3	18 C 103-4	17
14 C 147	7-27	18 C 110	5-13-14
14 C 212	24-25	18-115	16
14 C 404	A	18-120	31
14 C 419	27-31	18-121	31
14 C 420	29	18-126	16-31
14 C 421	31	18-129	31
14 C 422	5	18-134	8
14 C 463	19	18 C 135	16
16 C 52	9-11-12	18 C 186	22
16 C 52-1	10	18 C 215-1	1-2-7-27
16 C 319	31	18 C 216-1	15
17 C 46	A	18 C 216-2	15-21
17 C 66-1	18-20	18 C 218-1	15-21
17 C 66-2	17-19	18 C 236	16
17 C 119	16	18-292	9-10-11-12-13 and 14
17 C 138	4	18-330	13-14
17 C 141	27	18-351	33
17 C 142	29	18 C 317	7
17 C 144	28	18-375	4
17 C 165	4	18-497	27
18 C 48	9-10-12	18-622	14
18 C 65-1	1-8	18 C 643	10
18 C 68	17-18-20-28	18-644	6
18-71	4	18-657	13-14
18-74	4	18-710	27-29
18-115	16	18-733	19
18 C 82	A	18-738	4
18 C 84	1-2-3	18-743	8
18 C 85-1	16	18-808	31
18 C 85-2	A	18 C 861	16
18 C 86	9-10-11-12-13 and 14	18 C 880	6
18 C 87	A	18 C 881	6
18 C 88	A	18 C 884	31
18 C 90	5	18 C 885	30
18 C 94-1	A-6-7-16-30-31	18 C 889	29
		18 C 890	30
		18 C 891	15-33
		18 C 897	5
		18 C 904	1-2-3

## NUMERICAL INDEX

PLATES ARE FROM PAGE 36 TO PAGE 103

PART NO.	PLATE NOS.	PART NO.	PLATE NOS.
18 C 905	9-10-11-12-13 and 14	23 C 281	26
18-906	32	23 C 293	26
18 C 911	13	23 C 314	26
18 C 916	21	24 C 123-1	17
18 C 944	A	24 C 123-2	28
18 C 1008	8	24 C 124-1	17
18 C 1014	15	24 C 124-2	28
		24 C 248	18
20-31	4	24 C 292	19
20 C 80-2	A	24 C 298	20
20 C 104	17-18-19-20 and 28	27 C 146	2
20 C 106	16-31	27 C 149	7
20 C 107	16		
20 C 108	17-18-20-28	30 C 36	5
20 C 117	31	30-68	14
20 C 118	30	30 C 258	13
20 C 616	10		
		32 C 207	31
21 C 50	9-11-12	32 C 270	16
21 C 54B	16-31	32 C 271	A
21 C 69-3	17-18-19-20 and 28	33 C 6-2	1-2-3
21 C 153	6	33 C 143	27
21-183	30	33 C 148-1	7
21 C 235	15		
21 C 269	13-22	36 C 22-1	4
21 C 269-1	22		
21-330	8	39 C 83-1	A
21-385	14	39 C 115	15
21 C 617	10	39 C 122	8
		39 C 130B	7-27
22-8	4		
22 C 51	9-10-11-12	40 C 9A	1-2
22 C 64	1-7	40-18	15
22 C 81-1	A	40-26	33
22 C 81-3	A	40-46	9-10-11-12-13 and 14
22 C 81-4	6		
22 C 137	6	40-179	4
22 C 151-1	6	40 C 213-2	6
22 C 214-1	6	40 C 213 S-3	A
22 C 214-2	30	40 C 615	10-12
22 C 214-6	15		
22 C 231	15	41 C 75	A
22 C 232	15	41 C 76	A
22 C 239	28		
22 C 244	6	44 C 78	A
22 C 292	8	44 C 257	31
		44 C 258	29
23 C 43-1	26	44 C 259	24
23 C 43-2	26	44 C 286-1	24

## NUMERICAL INDEX

PLATES ARE FROM PAGE 36 TO PAGE 103

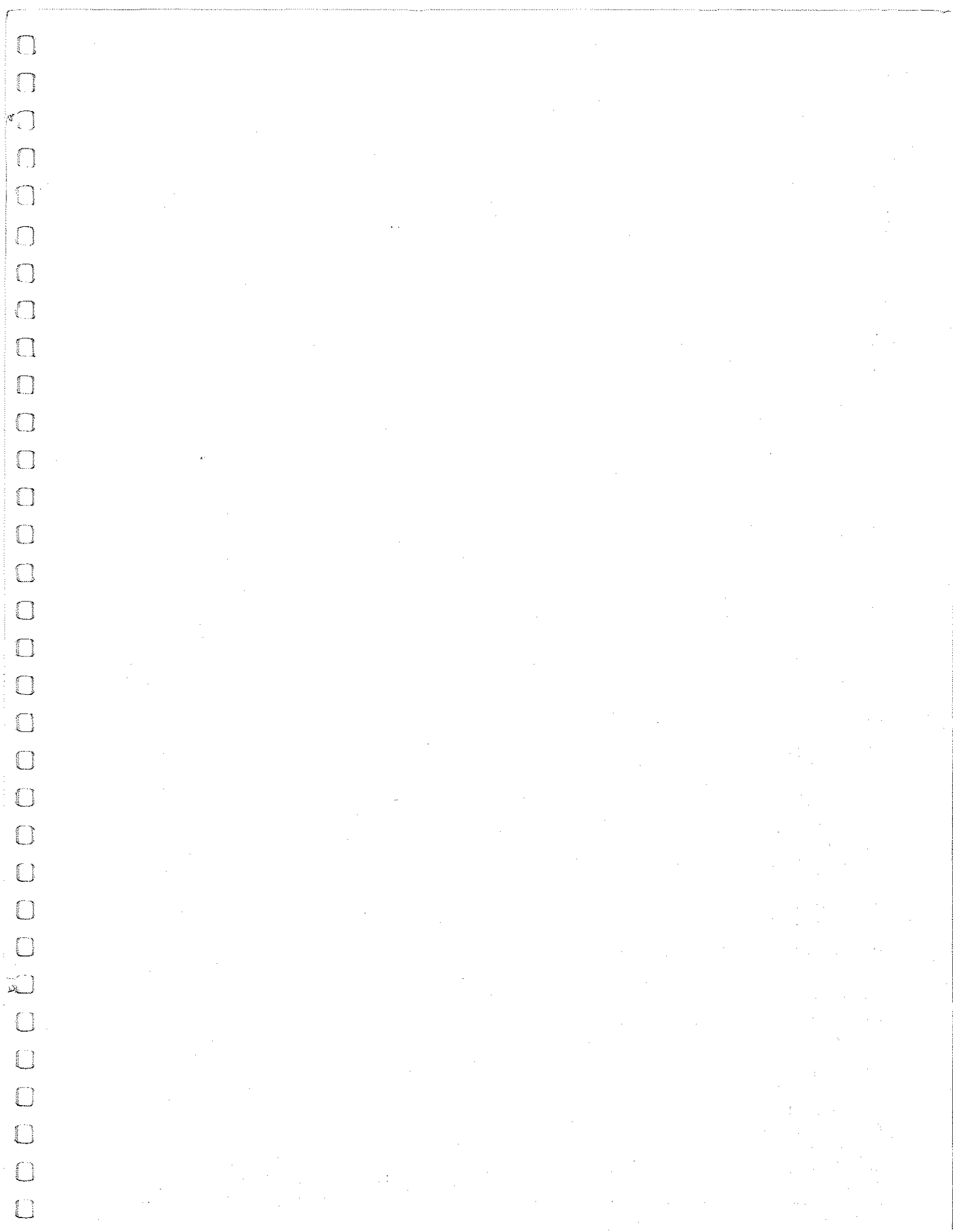
PART NO.	PLATE NOS.	PART NO.	PLATE NOS.
44 C 286-3	24	75 C 622	10
44 C 286-4	24		
44 C 286-7	25	79 C 32	5
44 C 293	25		
45 C 150	6	89 C 184	4
45 C 162	15-21		
45 C 168	1-2-3	97 C 45	A
46 C 10-1	1	99 C 11	18-20
46 C 10-3	2	99 C 157	17
46-116	29	99 C 158	17
46 C 266-1	7	99 C 317	19
		99 C 611L-2	28
47 C 111	27	99 C 611R-2	28
48 C 63-1	1	110 C 218	6
48-69	27-29	110 C 219	6
48 C 89 B	7	110 C 305	12
48 C 164	8	110 C 308	8
48 C 167-1	5		
49 C 30	8	115 C 113	6
		115 C 114	30
50 C 45	9-10-11-12-13 and 14	117 C 3B-2	16
50 C 161	21	122-35	9-12
50 C 212	30	122-37	13
50-223	13-14	122-39	14
50 C 229	33	122 C 38	10-11
50 C 230	33		
50 C 242	15	125 C 73	A
57 C 24-1	1-2-3	131 C 163-1	16-31
61-33	A	137 C 33	5
61-49	31	137 C 49-1	12
		137 C 49-2	9
68 C 77-1	A	137 C 49-6	11
68 C 614	10	137 C 620	10
69 C 19	29	149 C 29	8
70 C 46	4	155 C 16	6
71 C 152	6	164 C 213-4	17
71 C 159	15	183 C 22	31
75 C 112-2	9	CS 200	31
75 C 112-3	11		
75-212	16	CS 320 1/2	30
75 C 621	10		

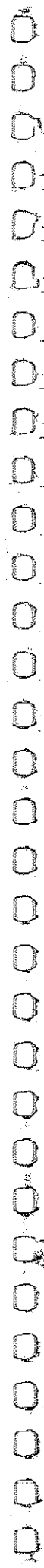
## NUMERICAL INDEX

PLATES ARE FROM PAGE 36 TO PAGE 103

PART NO.	PLATE NOS.	PART NO.	PLATE NOS.
1003	6	431-175 3/8 H-L-M	23
1005	5-8-29		
1022	A-8-29	433 C 9B-1 433 C 9B-3 433 C 37	2 1 1-2-3
1071	A	439 C 34	5
1132	A	439 C 116L 439 C 116R	16 16
1170	4	439-127 439 C 234	4 1-2-3
1197	30	439 C 255	22
1243	5	444 C 61-1 444 C 61-2	24 25
1246	27-31	444 C 61-3 444 C 61-4 444 C 61-7	24 24 25
1274	A	444 C 171 444 C 257	1-2-3 27-31
1284	29	444 C 259 444 C 293	24 25
1306	29	444 C 329	6, 30
1383 1/2	15-21	448 C 132 448-133	27 29
1420	22	449-27	4
404 C 559-2	15	468 C 525-1	A
405 C 486	9		
405 C 488	10	471 C 544	16-31
405 C 488-1	11		
<del>405-500</del> 405-6500	13	479-8	4
405 C 500 1/2	13	499-297	14
405 C 540	12	499-321	14
405 C 545	14	499-323	14
405 C 545 1/2	14	FP539	14
416 C 320	1-2-3	4117-46 4117 C 120	4 16
431-147	22	4118 C 32	4
431-148	22	4118 C 35	5
431-149	22	4124 C 7	5
431-150	22	4124-41-1/2	4
431-159	22	4124-41	4
431-175 3/16 H-L-M	23	4129 C 160	15-21
431-175 5/16 H-L-M	23	4149 C 23 4149 C 344	6 30
431-175 1/4 H-L-M	23	4183 C 3B-1	16









Union Special Corporation  
Corporate Office  
One Union Special Plaza  
Huntley, IL 60142  
Phone: 847•669•5101  
Fax: 847•669•4454

Union Special GmbH  
European Distribution Center  
Raiffeisenstrasse 3  
D-71696 Möglingen, Germany  
Tel: 49•07141•247•0  
Fax: 49•07141•247•100

JUKI CORPORATION  
INTERNATIONAL SALES DIVISION  
8-2-1, KOKURYO - CHO,  
CHOFU-SHI, TOKYO 182, JAPAN  
PHONE: 03(3430)4001~5  
FAX: 03(3430)4909 . 4914 . 4984



*Union Special*  
INDUSTRIAL SEWING EQUIPMENT